

# perma STAR VARIO - Quick Start Guide

## 1. Predefine installation / Select lubricant, discharge period + connecting parts

### Examples: Bearing lubrication

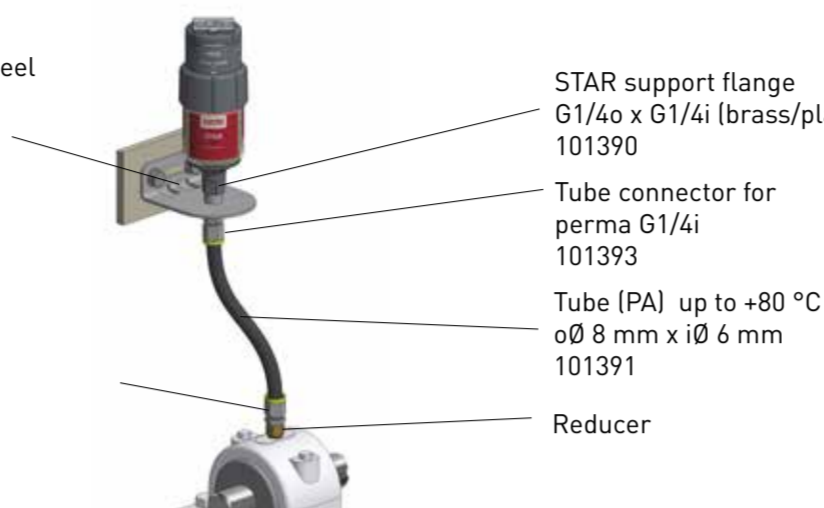


Direct mounting

Bracket stainless steel  
104864

Insert for  
bracket  
G1/4o x G1/4i  
104820

Tube connector  
G1/4o  
104820



STAR support flange  
G1/4o x G1/4i (brass/plastic)  
101390

Tube connector for  
perma G1/4i  
101393

Tube (PA) up to +80 °C  
oØ 8 mm x iØ 6 mm  
101391

Reducer

Remote mounting → for lube-points with vibration, limited mounting space, high temperature

Select a suitable lubricant  
for perma STAR VARIO LC unit  
→ e. g. perma Multipurpose grease SF01



Select discharge period  
→ e. g. with perma SELECT Software  
(refer to our product catalog for details)



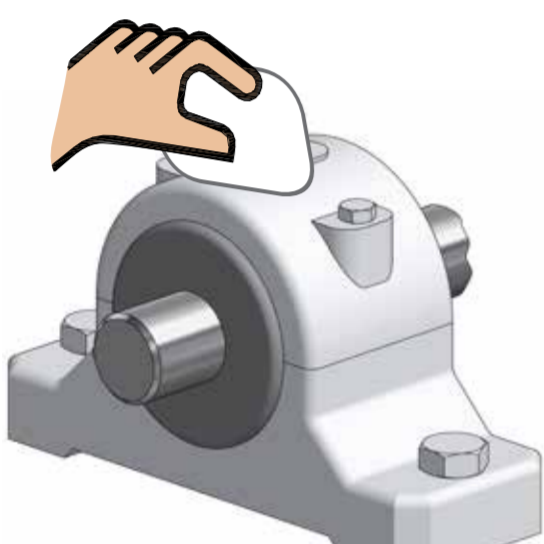
Possible mounting positions:



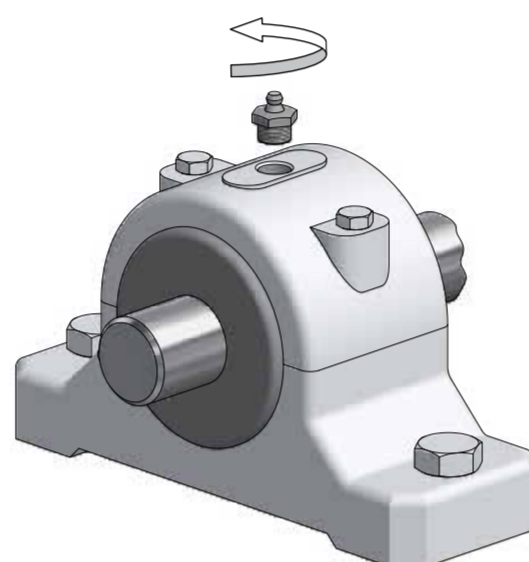
360°

\* This position is not possible when a protection cap is used

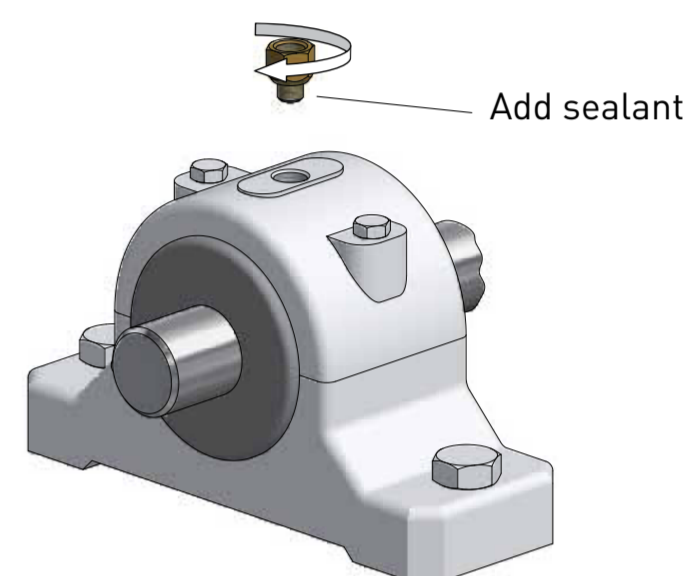
## 2. Prepare lube-point



Clean lube-point

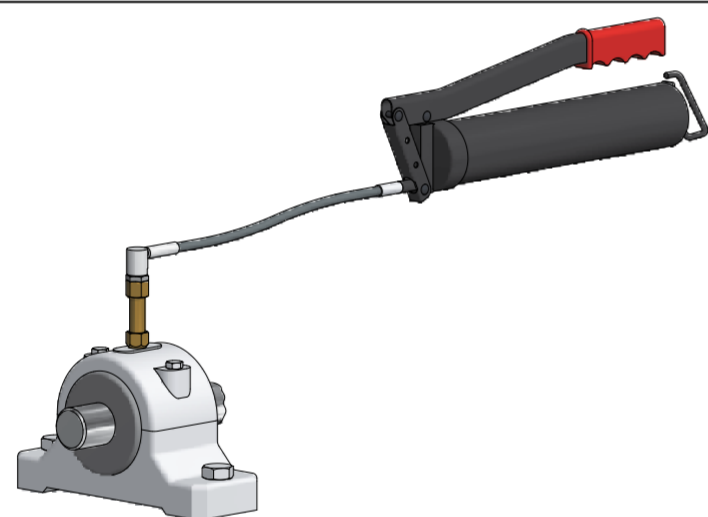


Remove grease fitting

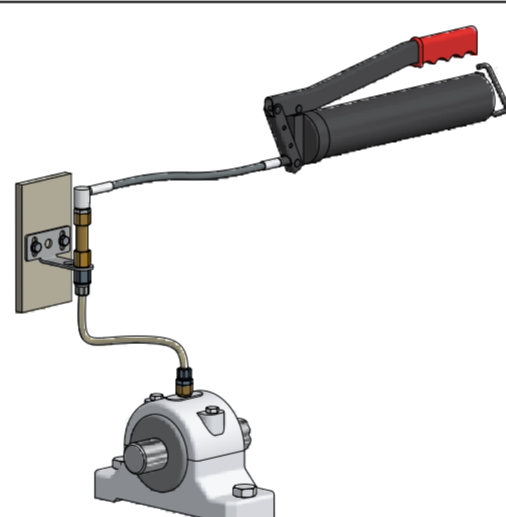


Add sealant

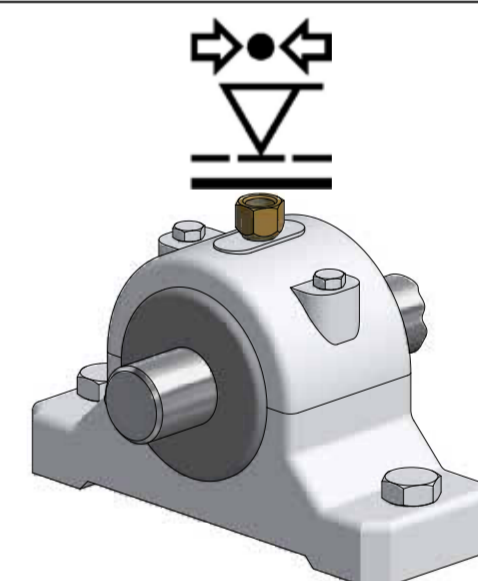
Add reducer and tubes (if required)



For direct mounting:  
Prefill lube-point and any connecting parts  
(use the same grease that is contained in the lubrication system)



For remote mounting:  
Prefill lube-point and any grease lines / connections  
(use the same grease that is contained in the lubrication system)

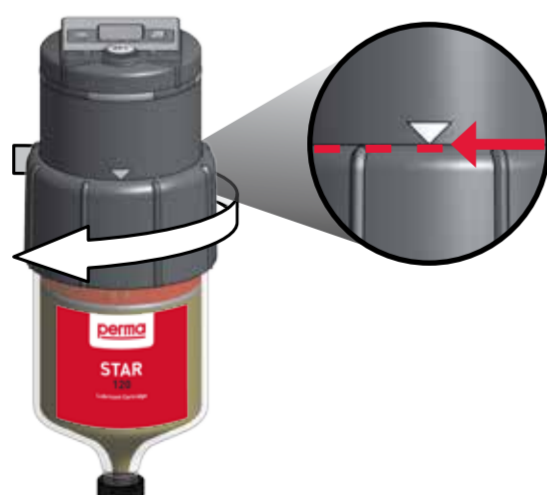


Pressure check: Lube-point / all connecting parts  
(refer to perma STAR VARIO installation guide for details)

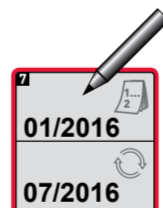
## 3. Activation / Installation of lubrication system



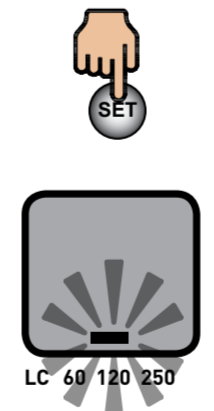
Assembly



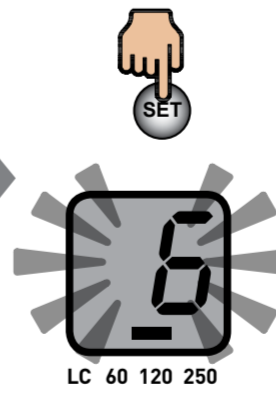
Screw control unit onto LC unit until  
arrow lines up (see enlargement)



Note  
activation / exchange  
date on label



Select LC unit  
60, 120, 250 cc



Select discharge period  
1 - 12 months



Remove plug



→ [www.perma-tec.com](http://www.perma-tec.com)

perma