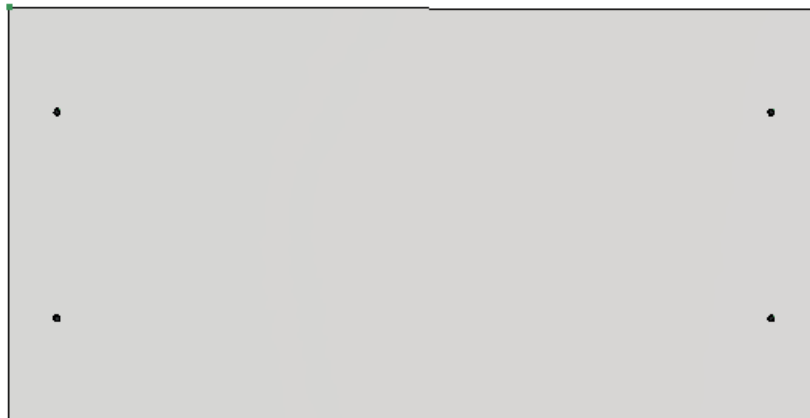
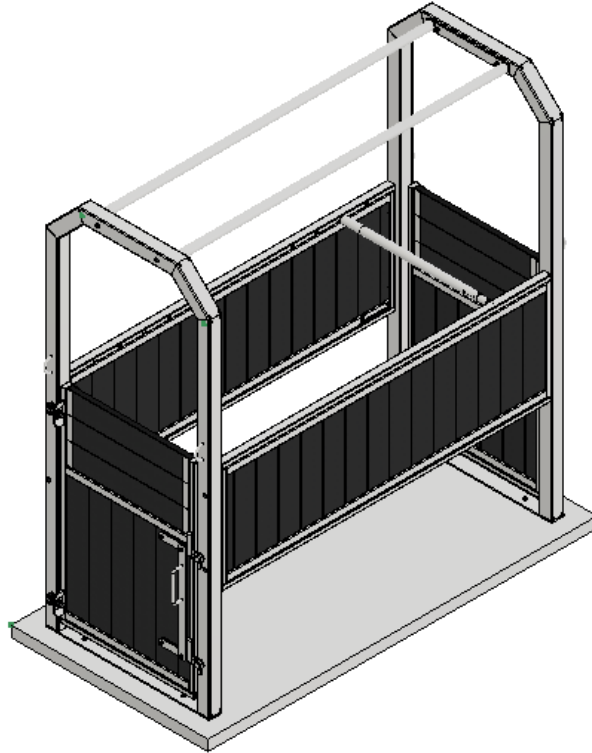


Installation manual – raising box



Important:

Make the concrete floor at least 20 cm bigger than size of the treatment box. This will avoid damage in case of an emergency in the box.









Lees eerst:

1. Hoewel we de frames na het verzinken controleren, kan het voorkomen dat er nog scherpe druppels zink aan de frames zitten. Gebruik rubberen handschoenen om je handen te beschermen. Voor je de paarden in de box doet, controleer altijd op eventuele scherpe druppels. Deze kun je eenvoudig met een ijzervijl verwijderen.
2. Gebruik persoonlijke bescherming tijdens het monteren, zoals handschoenen en werkschoenen, veiligheidsbril.
3. Bij vragen kun je altijd bellen: +31 485 470868

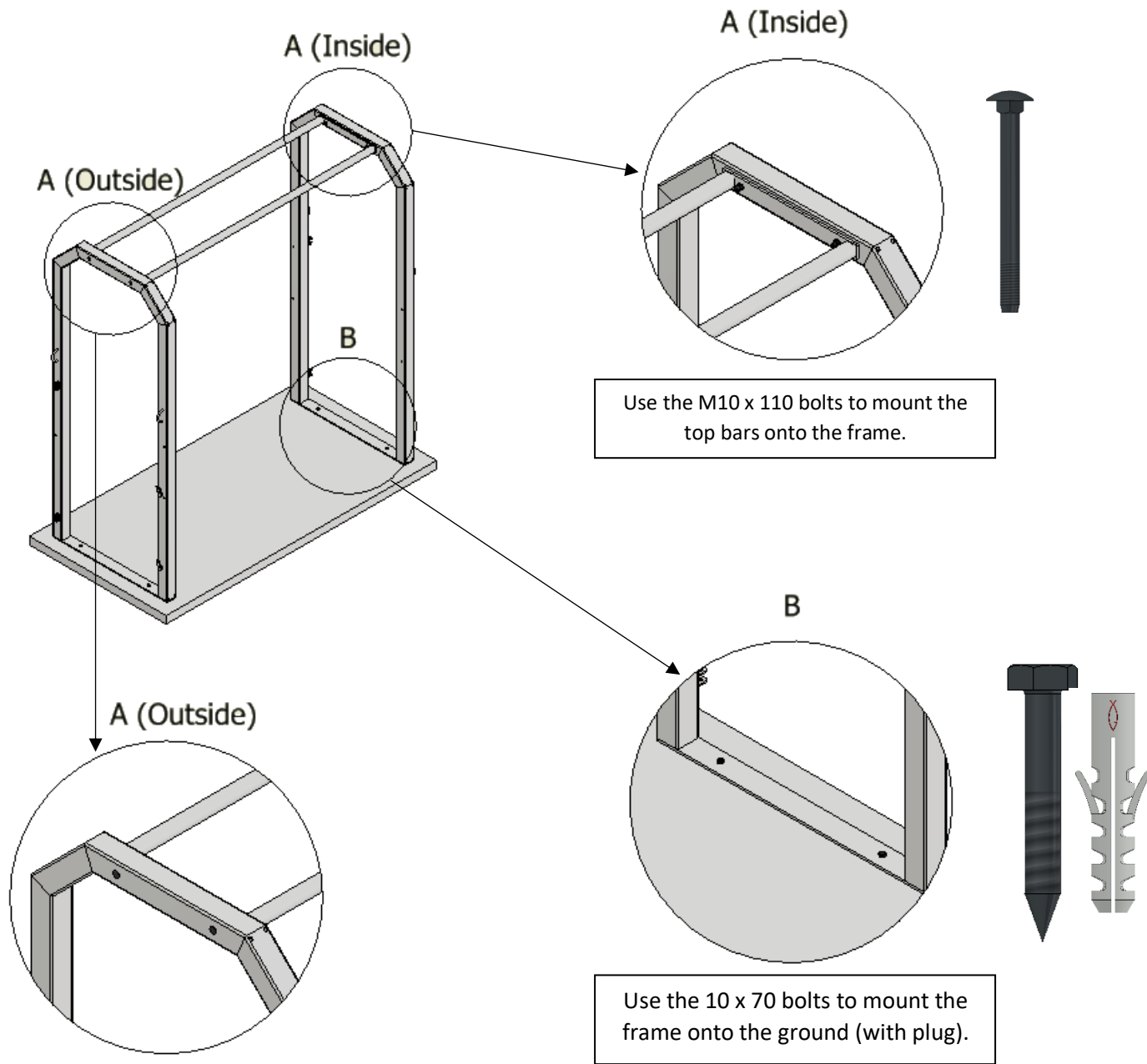
Read first:

1. However we check the stables after galvanization, there are sometimes some sharp drops of sink at the frames. Use rubber gloves to protect your hands. Before putting your horse in the box first check all sharp drops and remove them with an iron file.
2. Use personal protection like rubber gloves, working shoes and security glasses!
3. If there are any questions please phone: +31 485 470868

Tools Needed:

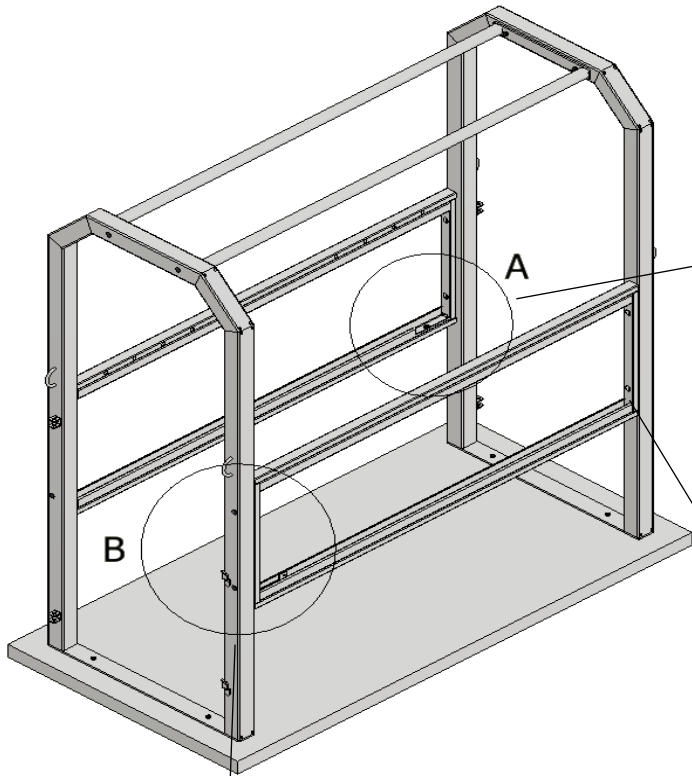
	Cordless drill		Wrench 17
	Cross bit PZ2		Baco
	Cap 17		Torx bit set
	Stonedrill 12		Inbus set

Step 1:

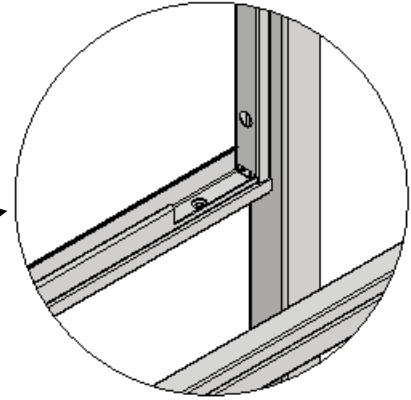


Step 2 Regular walls:

If you have rotatable walls, please check the steps at the bottom of this document



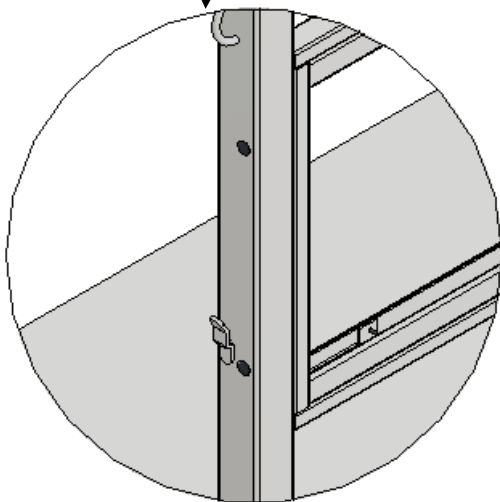
A



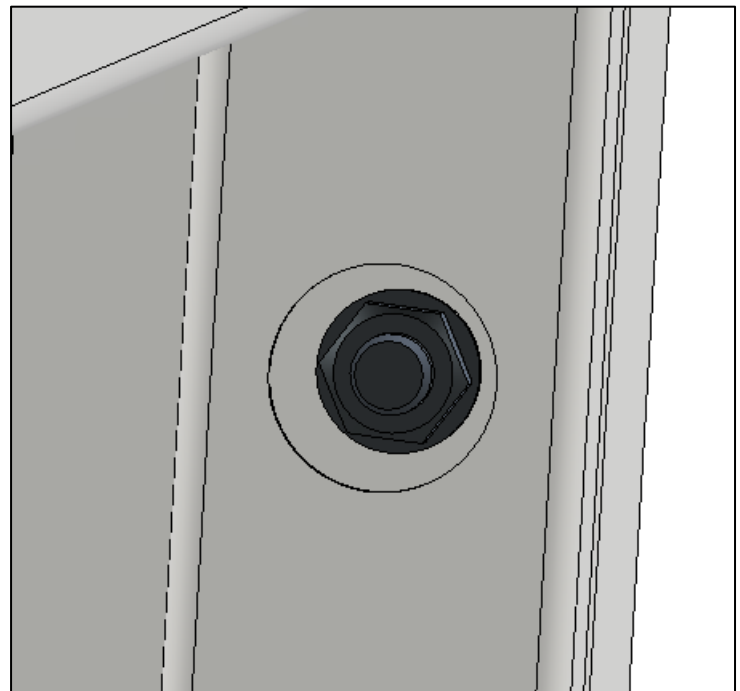
Make sure you don't install the extra plate until you have placed the planks. (Last step)

B

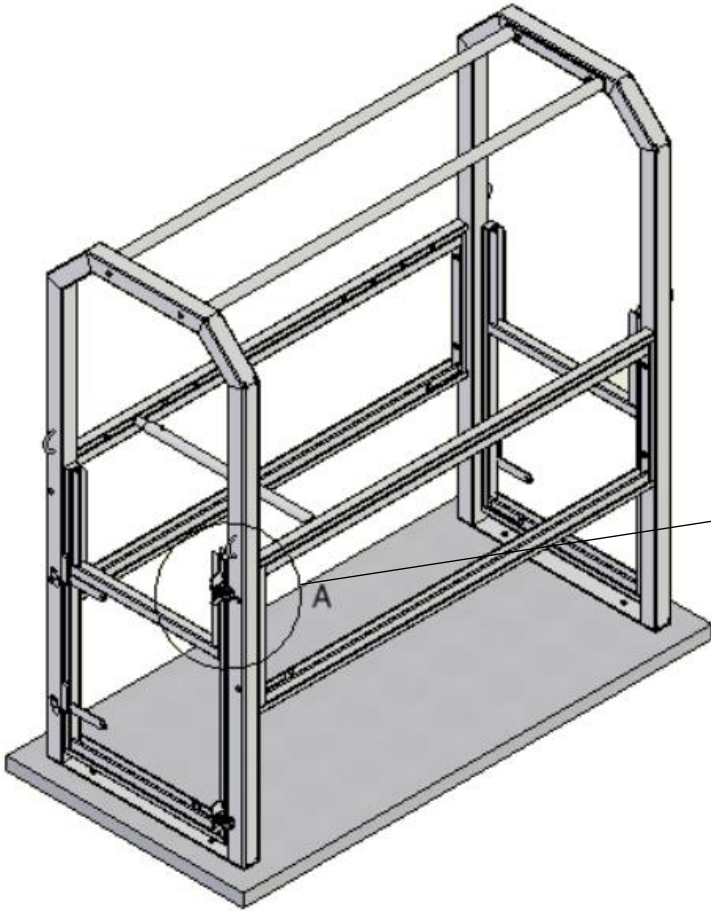
B



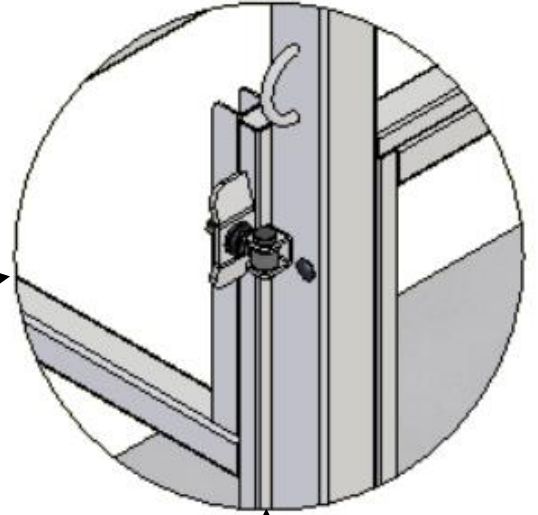
Use the M10 x 100 bolts to connect the frames



Step 3:

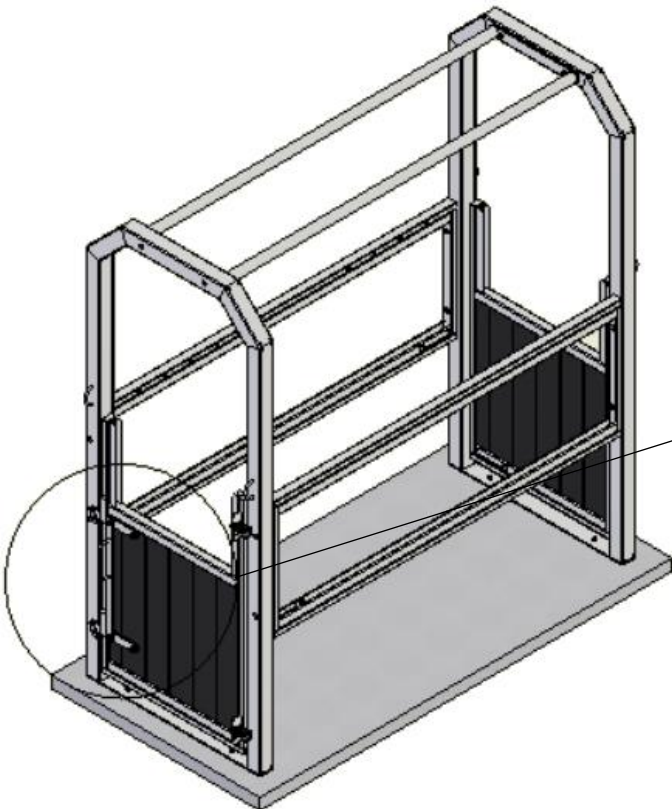


A

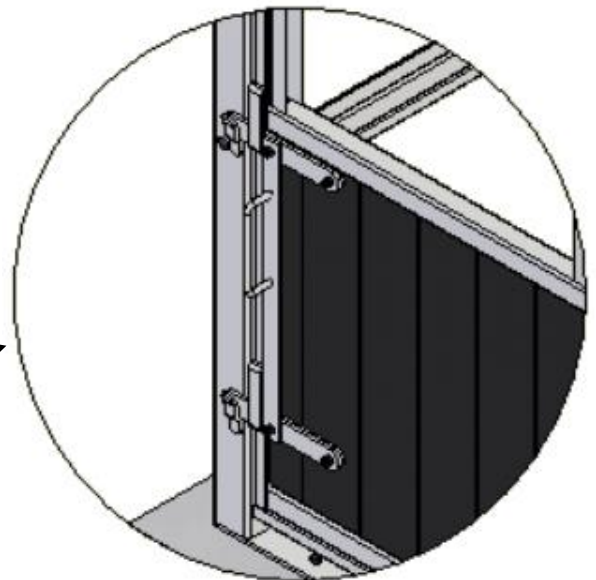


Mount the doorframe onto the frame using hinges provided.

Step 4:

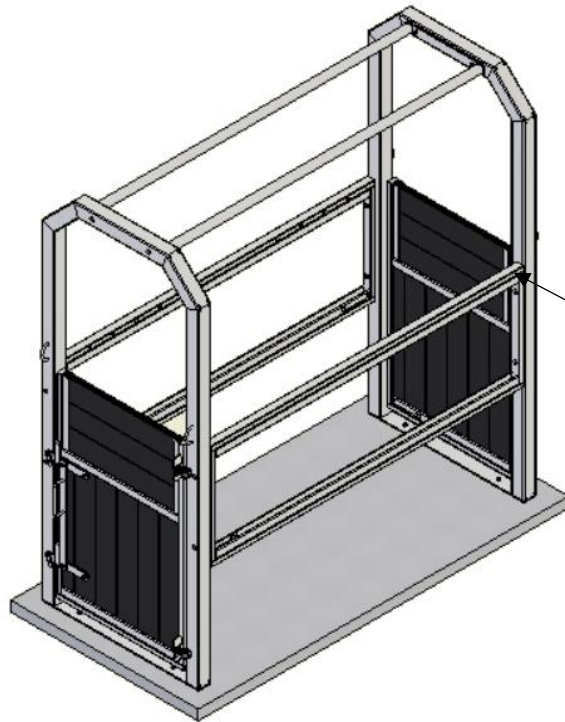


A



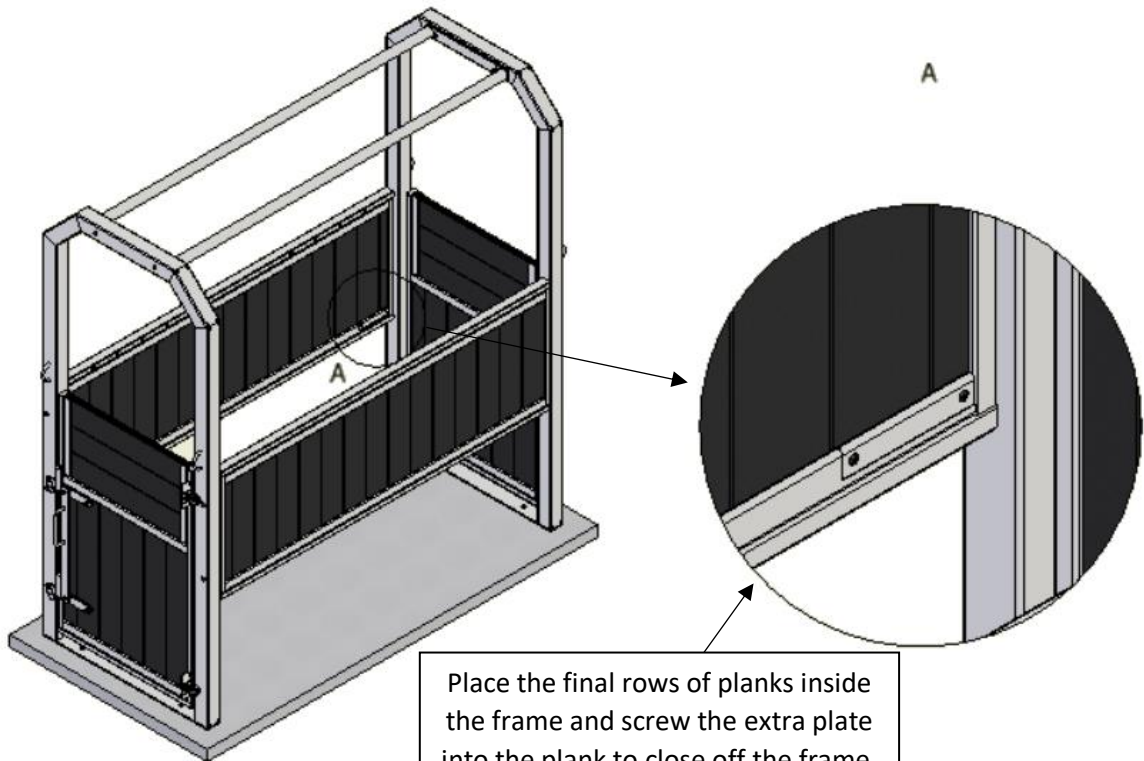
Mount the parallel lock onto the frame using the set of bolts provided and install the planks.

Step 5:



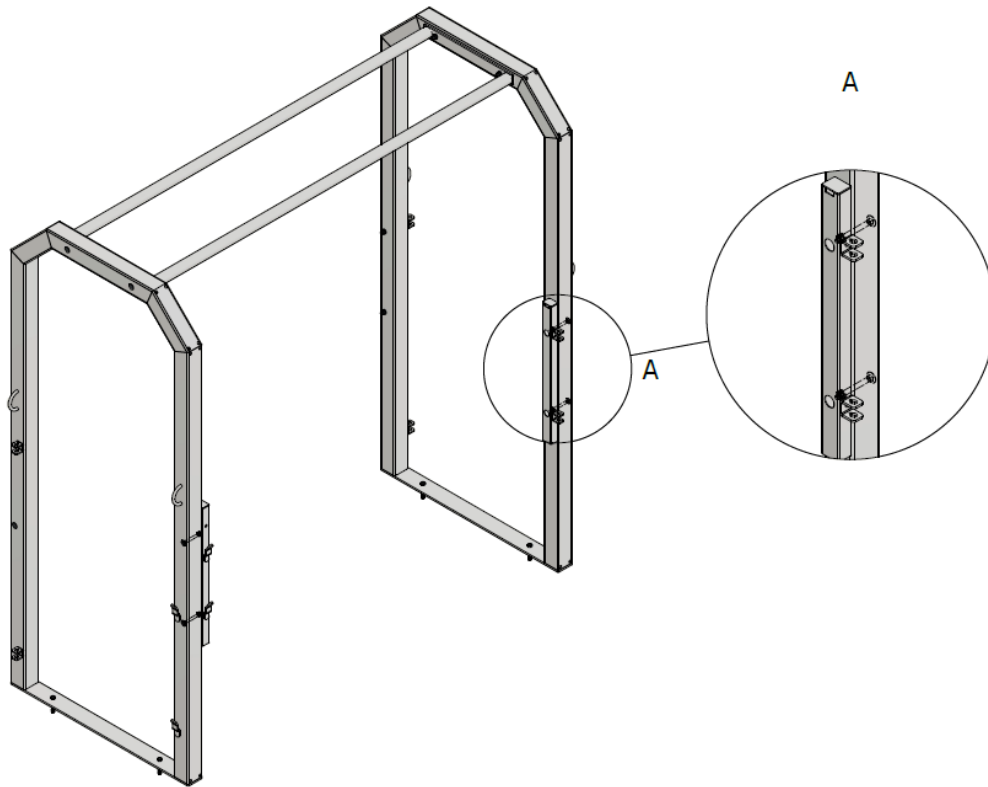
Place the planks on top of the doorframe.

Step 6:

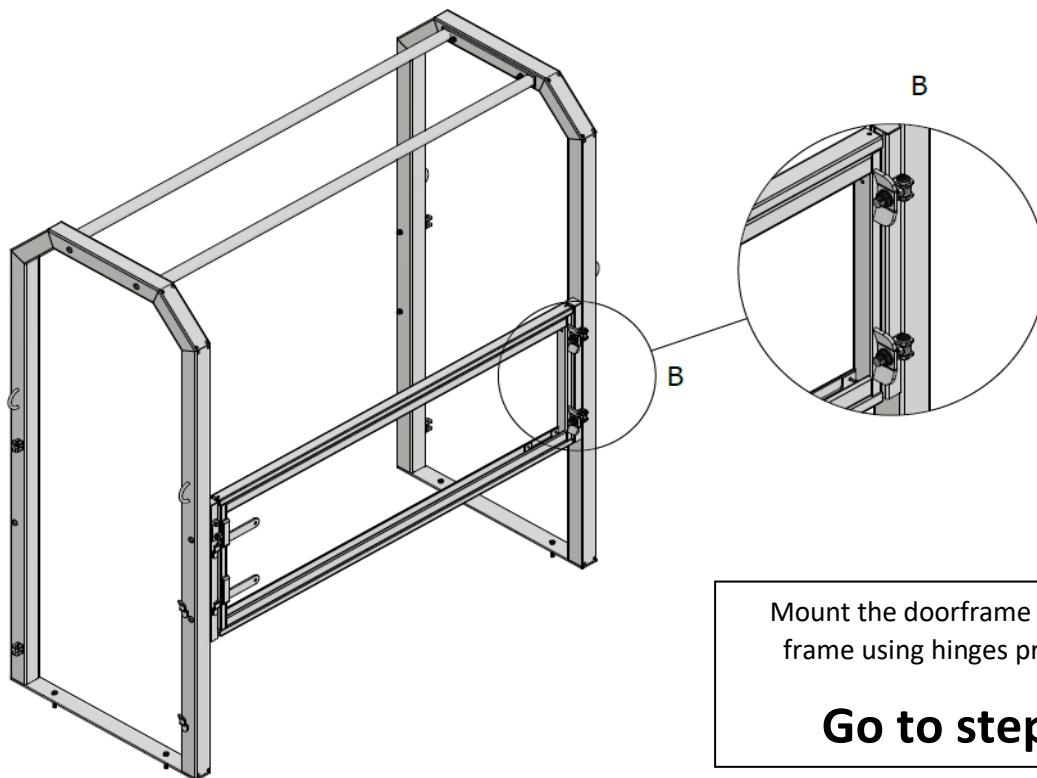


Place the final rows of planks inside the frame and screw the extra plate into the plank to close off the frame.

Rotatable wall:



Use the M10x130 to connect the frames.



Mount the doorframe onto the frame using hinges provided.

Go to step 3