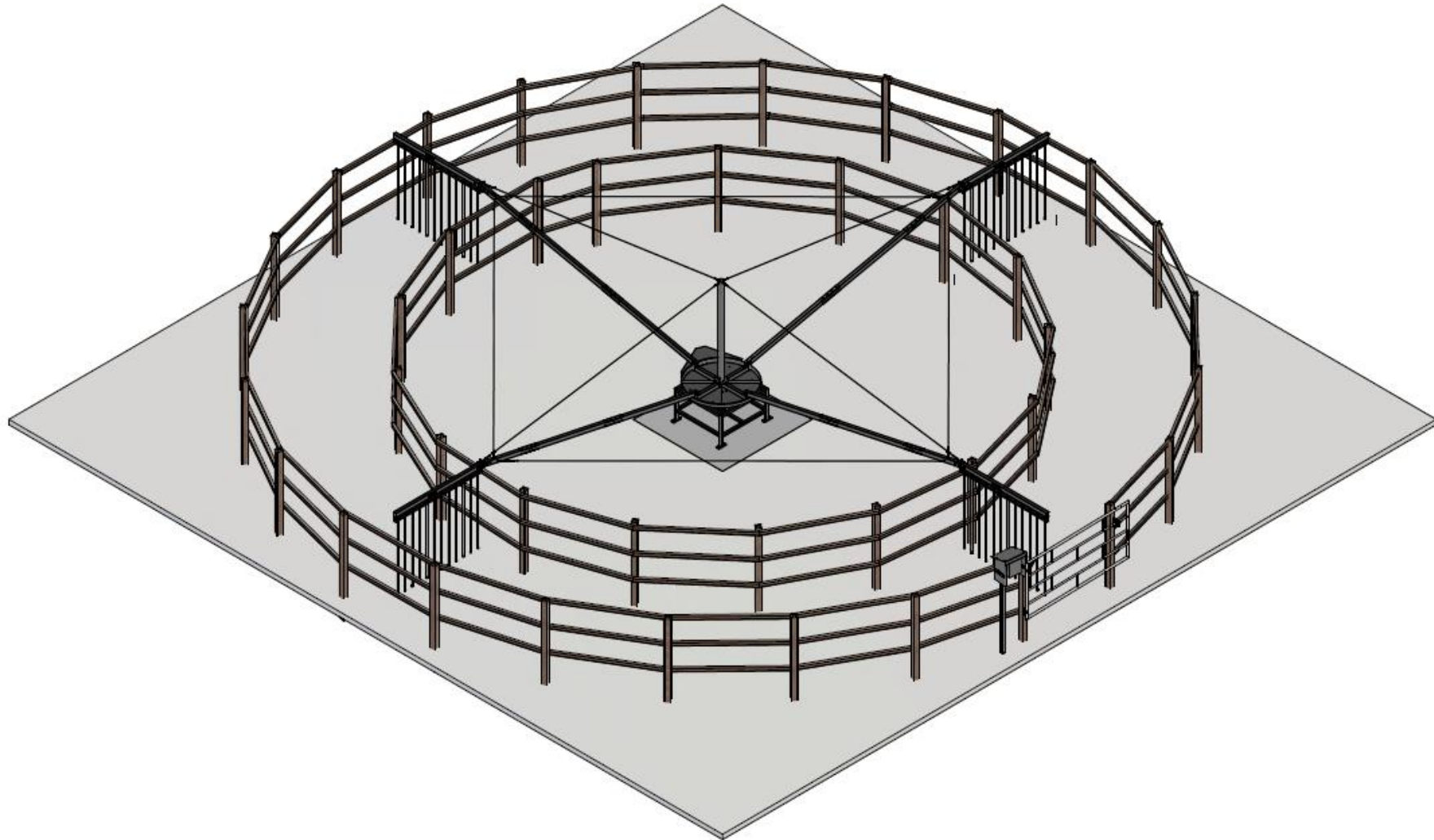
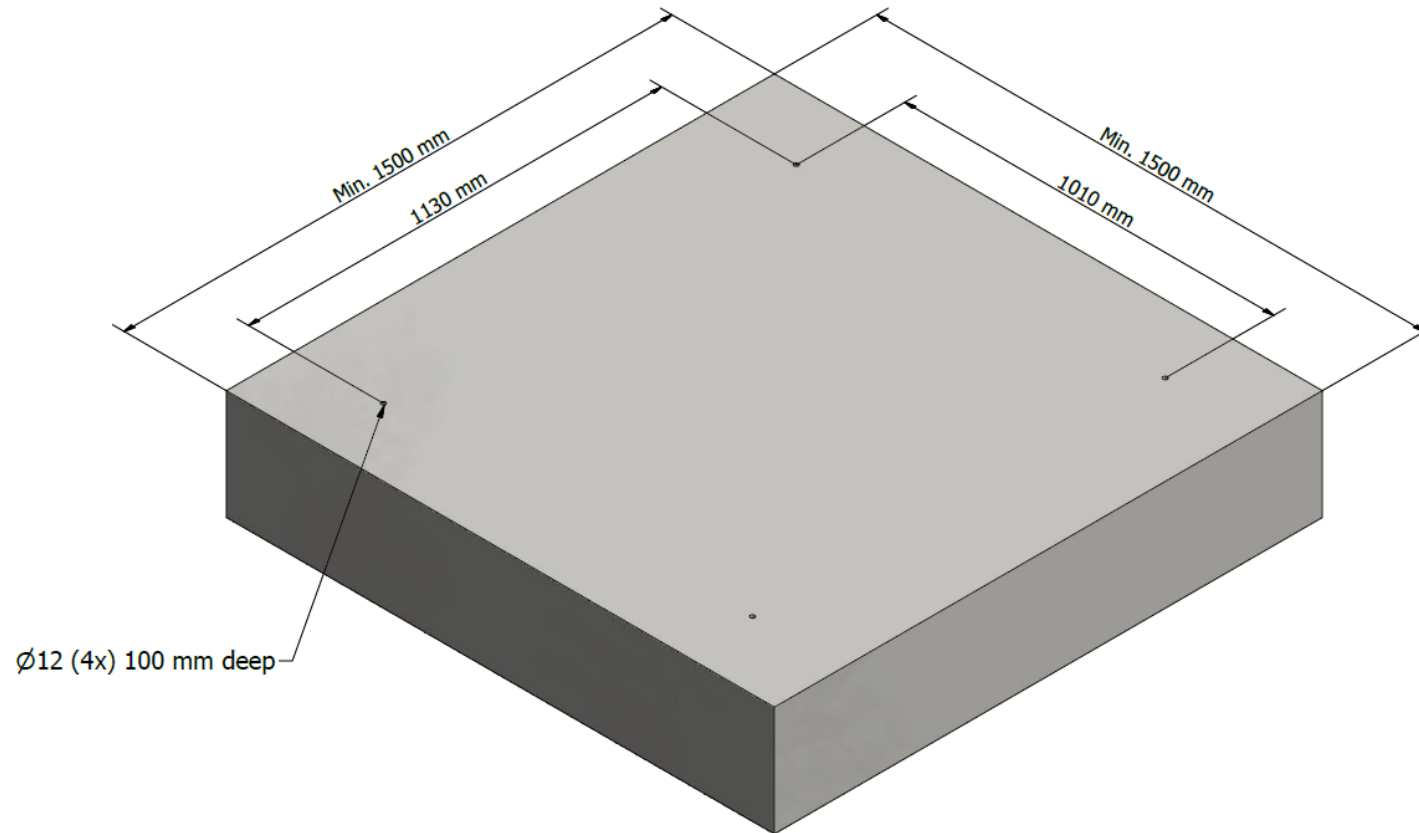


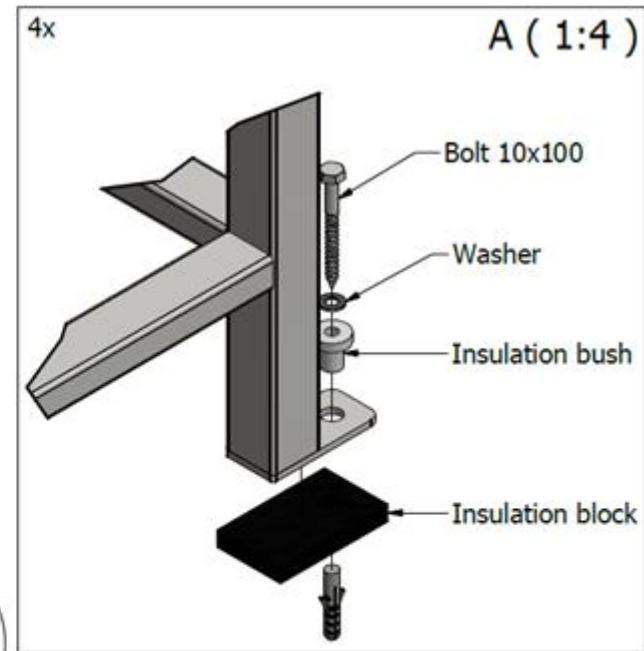
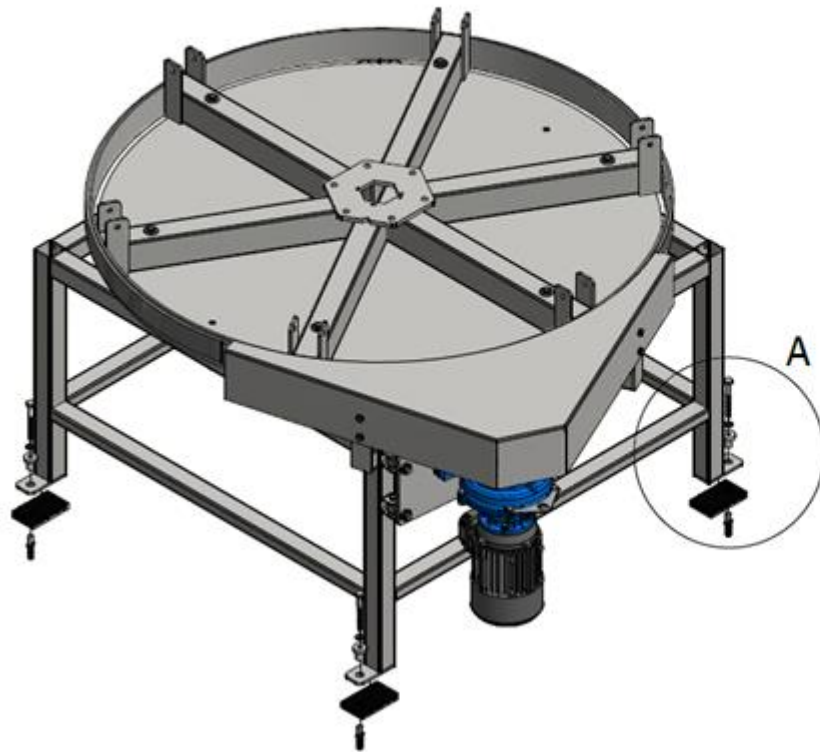
Installation manual Geert & Henk horse walker



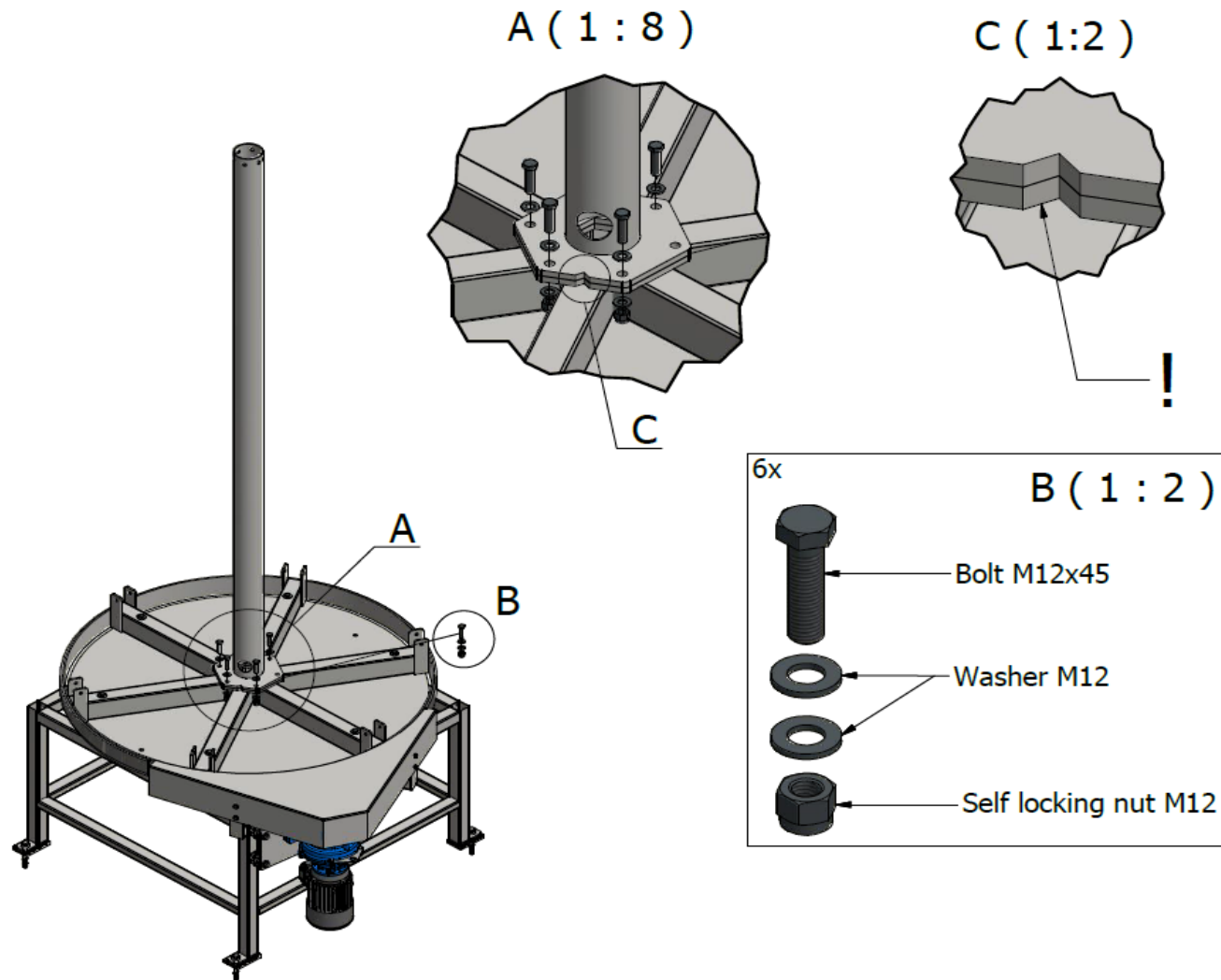
Step 1: Drilling holes in the leveled concrete floor



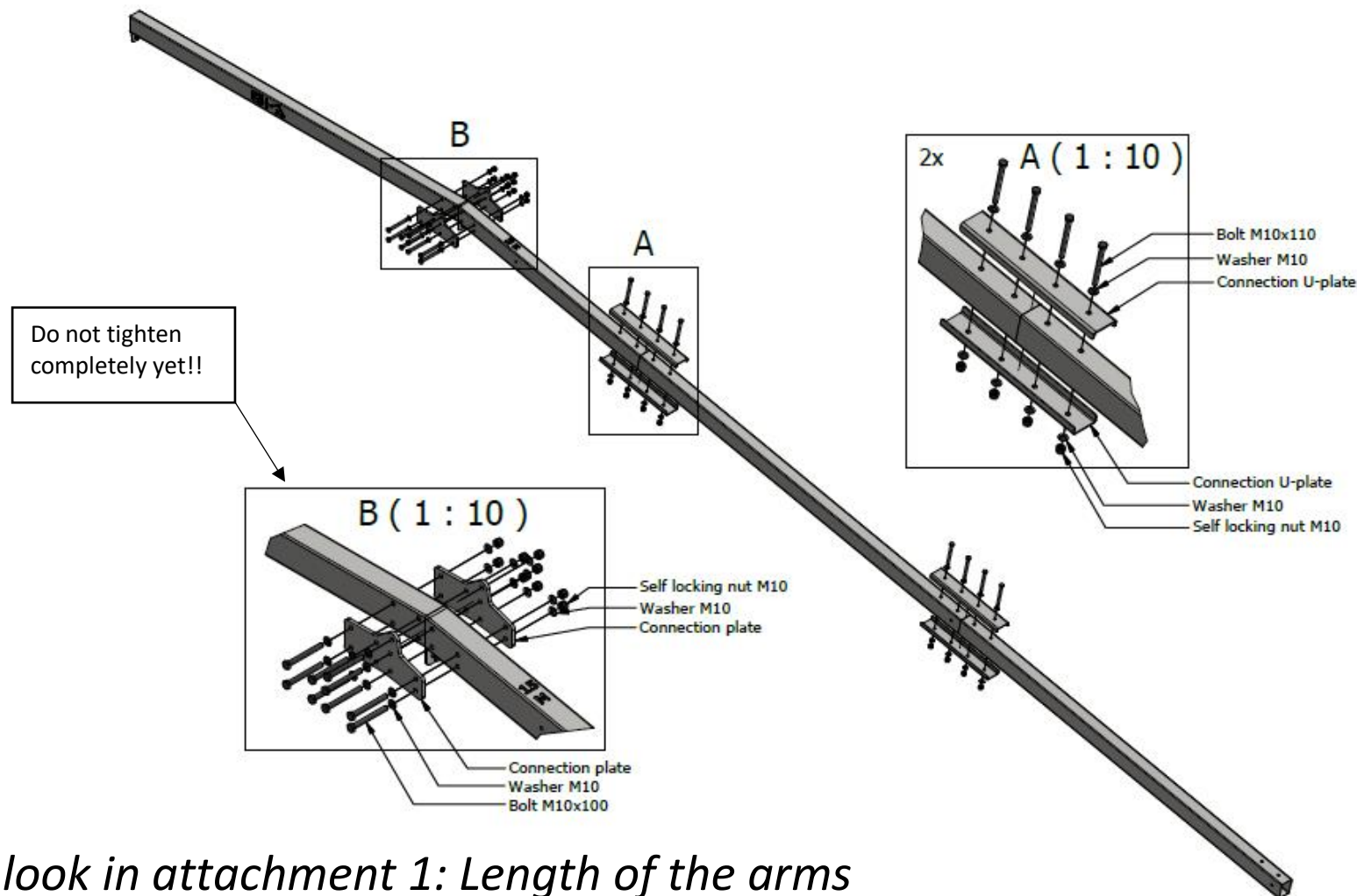
Step 2: Fix the table to the leveled concrete floor



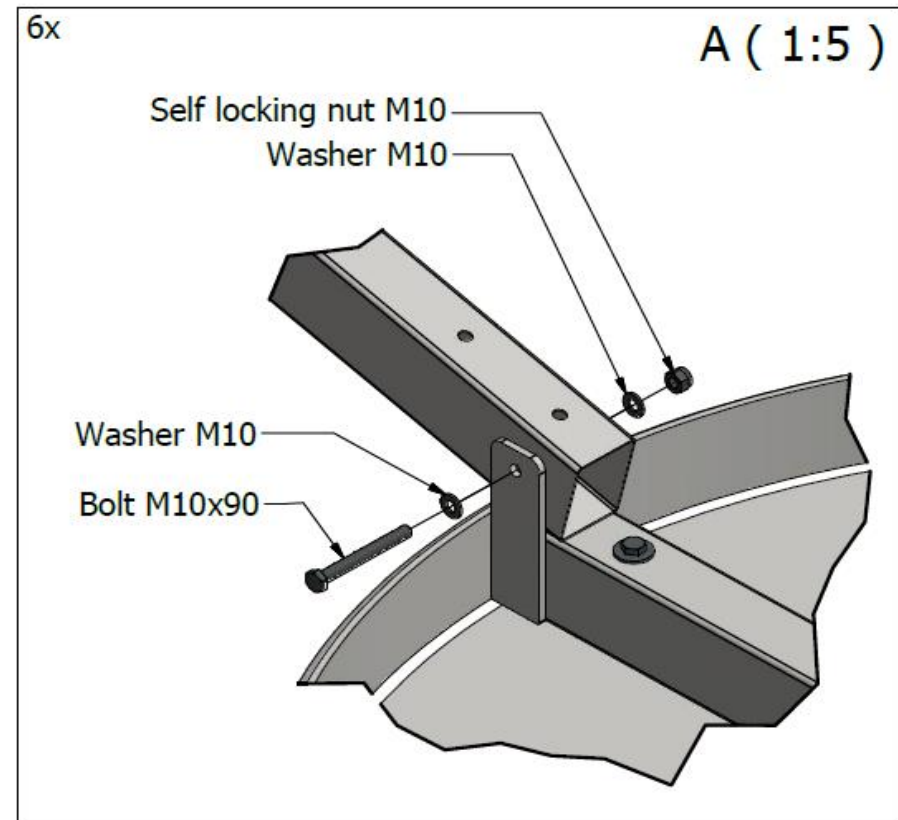
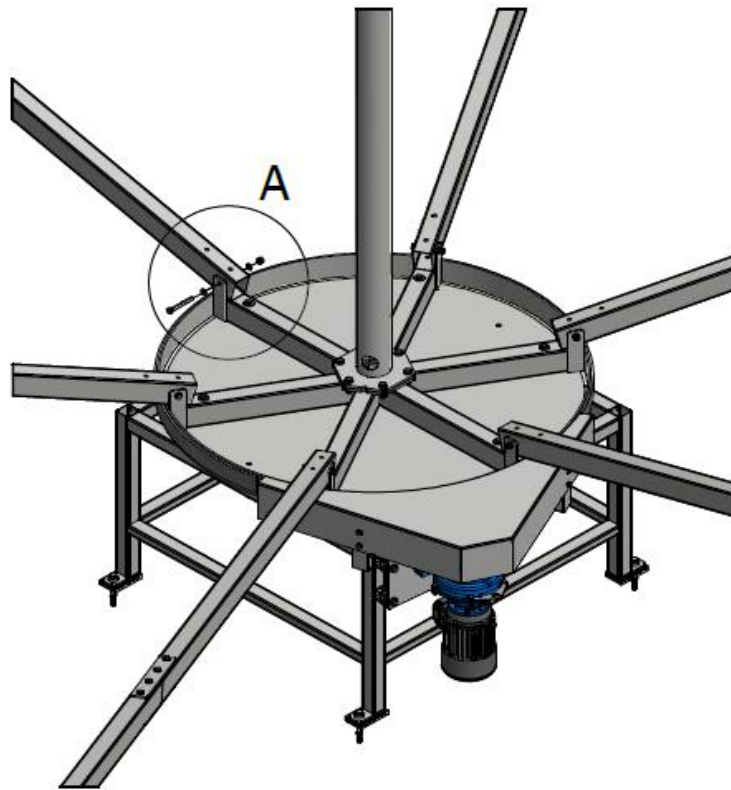
Step 3: Fix the post on the wheel



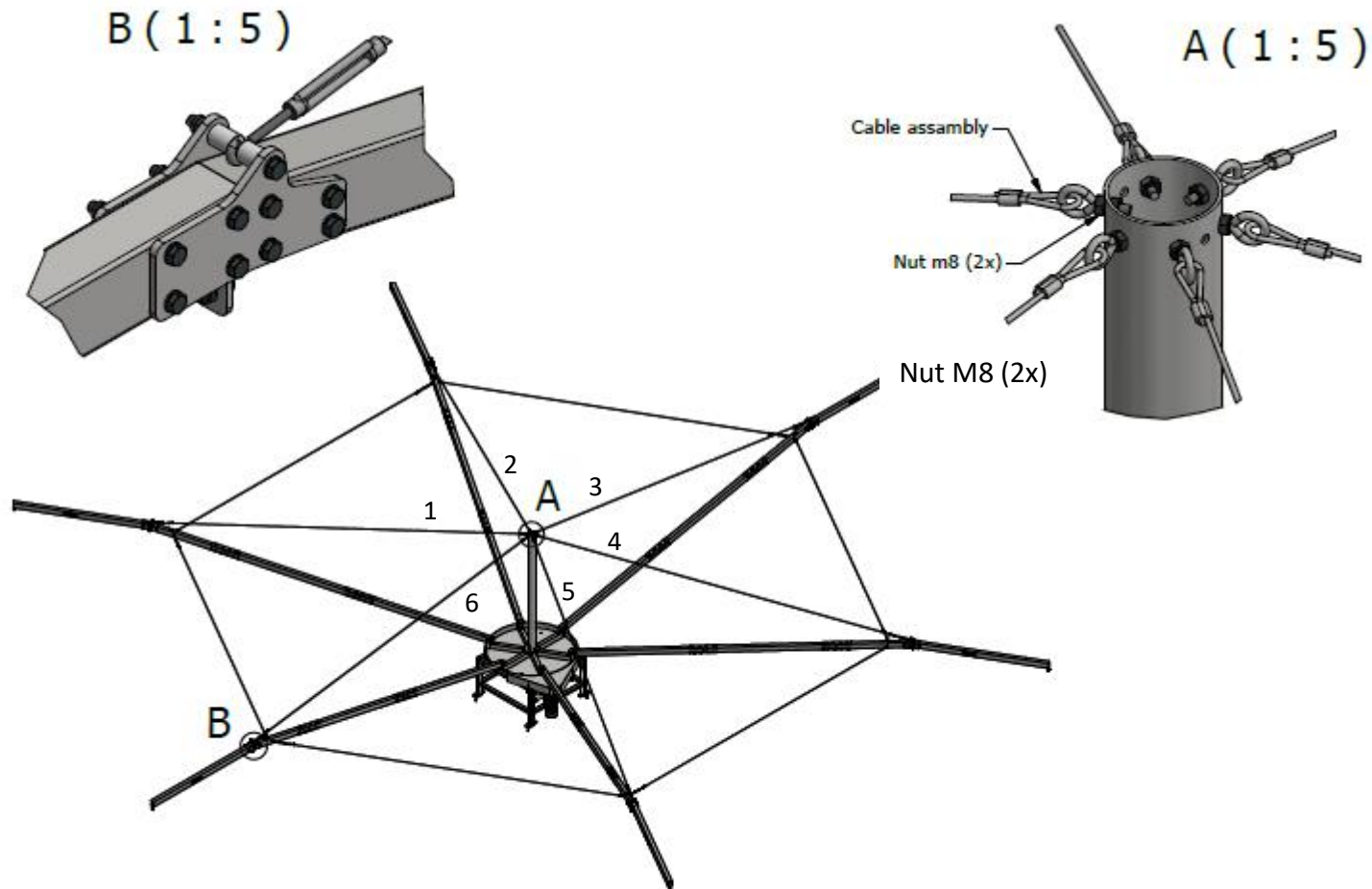
Step 4: Make the arms ready.



Step 5: Fix arms to the wheel

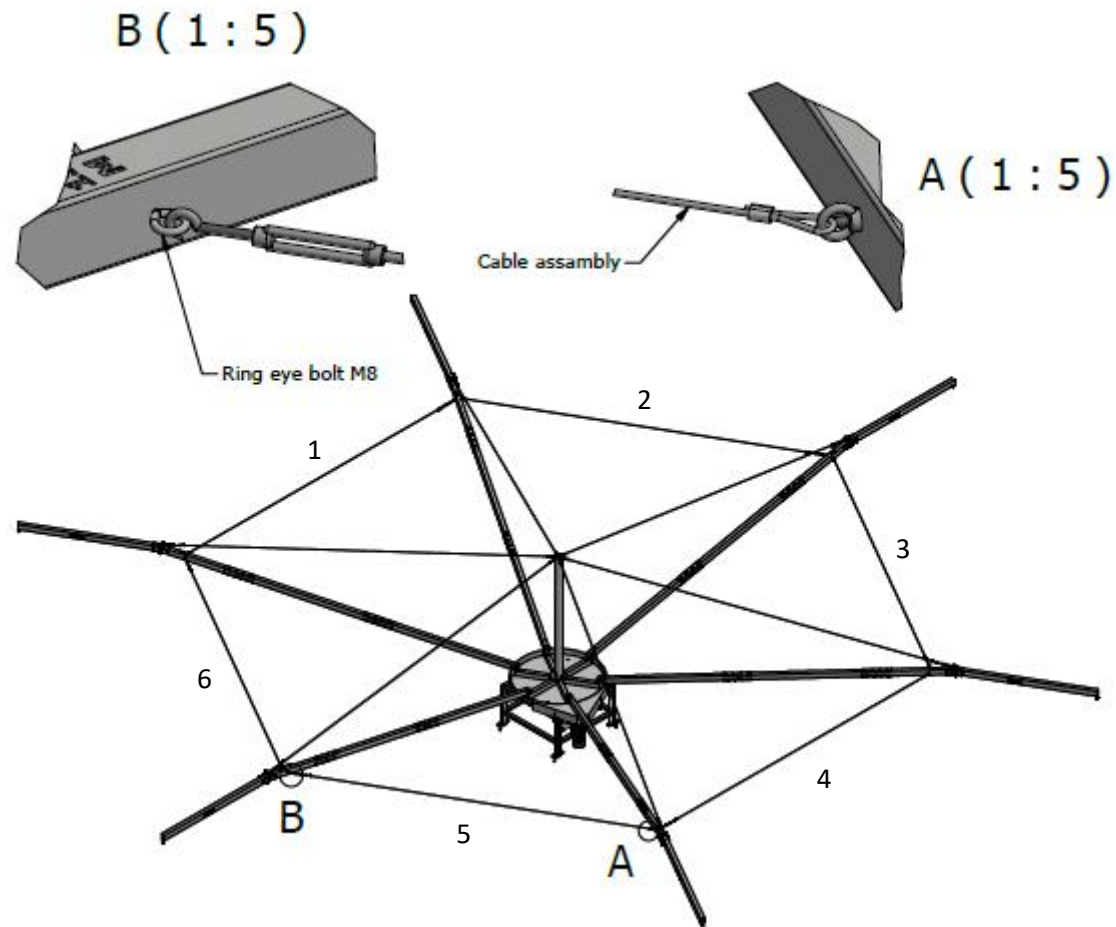


Step 6: Hang up the arms with the steel cable



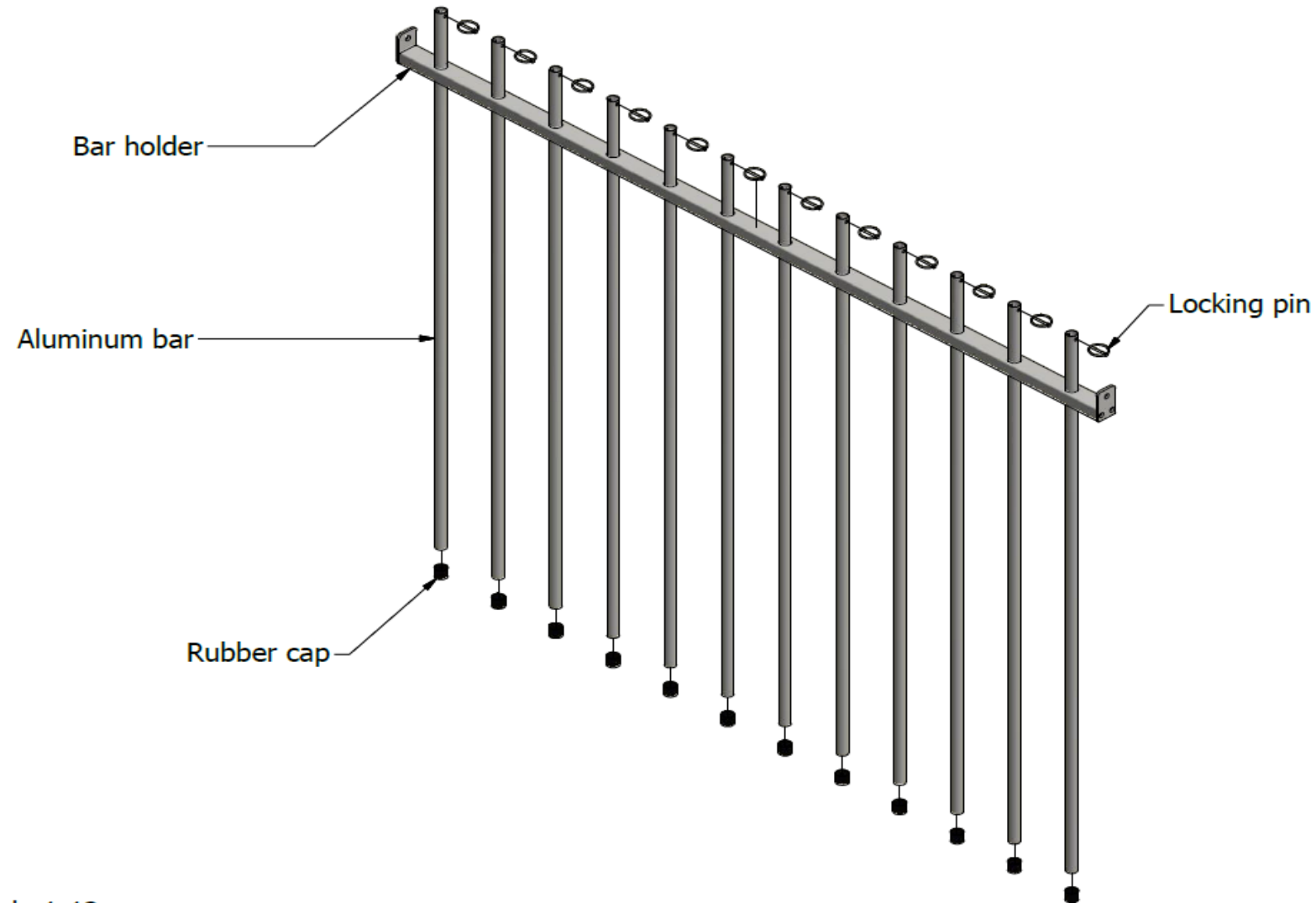
Tip: look in attachment 1: Length of the steel cable

Step 7: Stabilize the arms with the steel cable



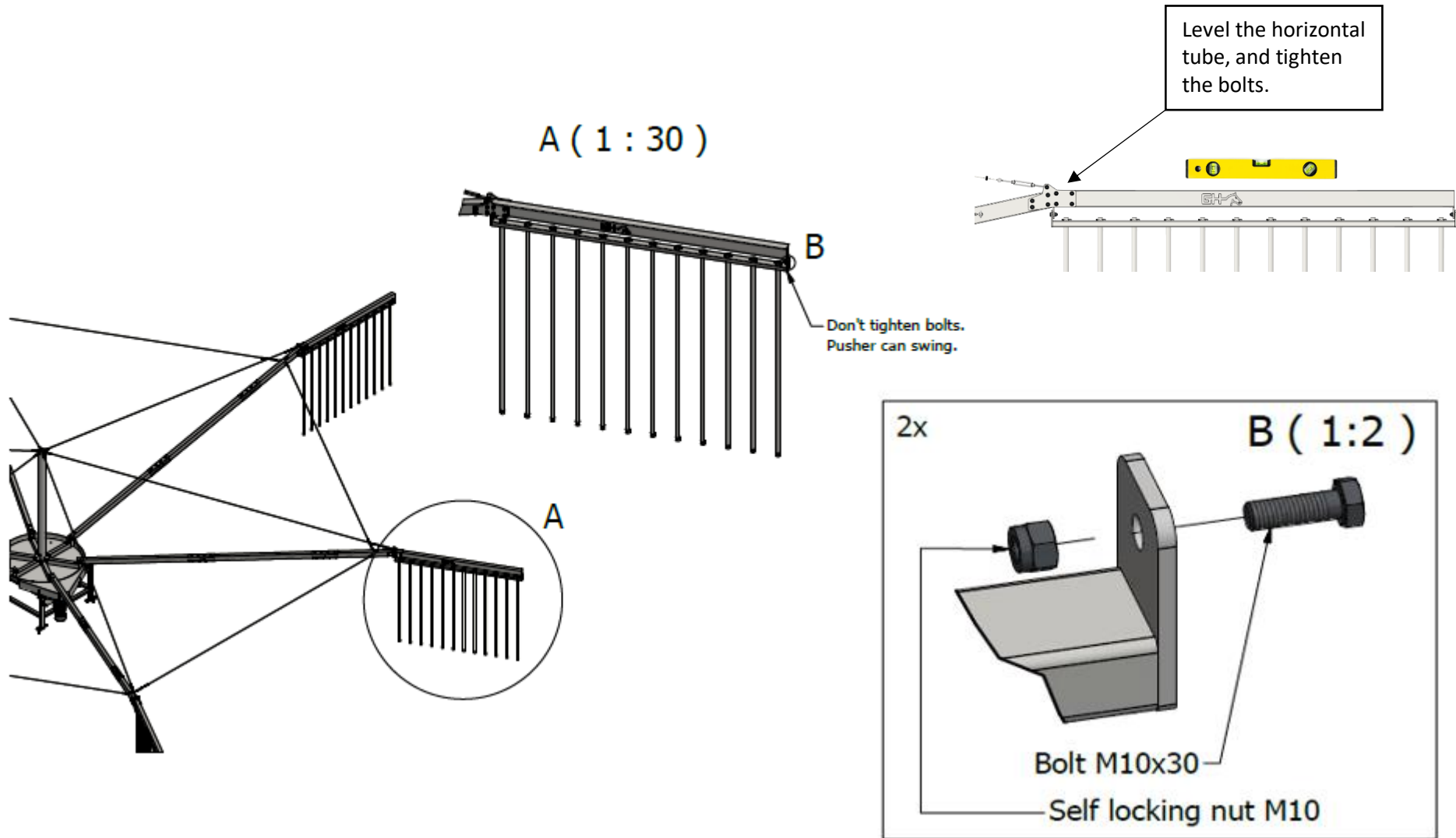
Tip: look in attachment 1: Length of the steel cable

Step 8: Installation of the pusher gates

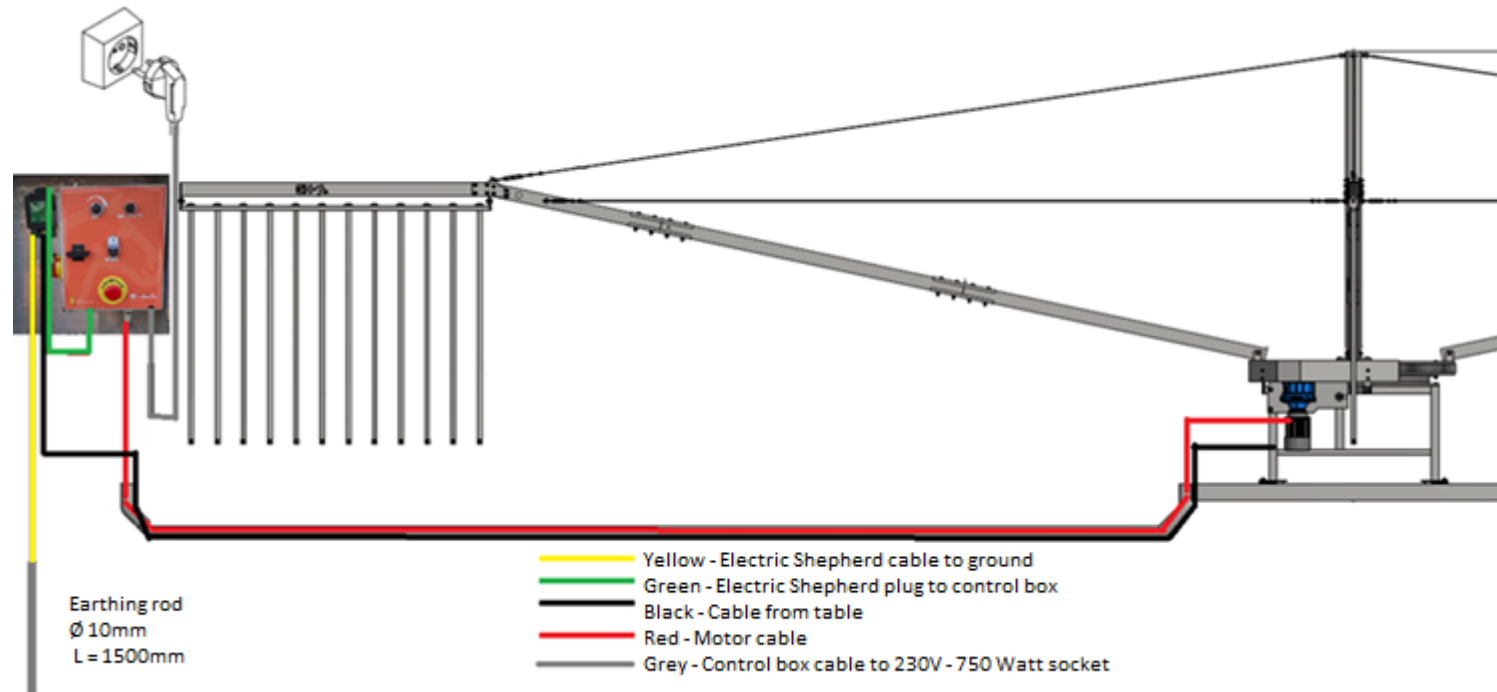


Scale 1:12

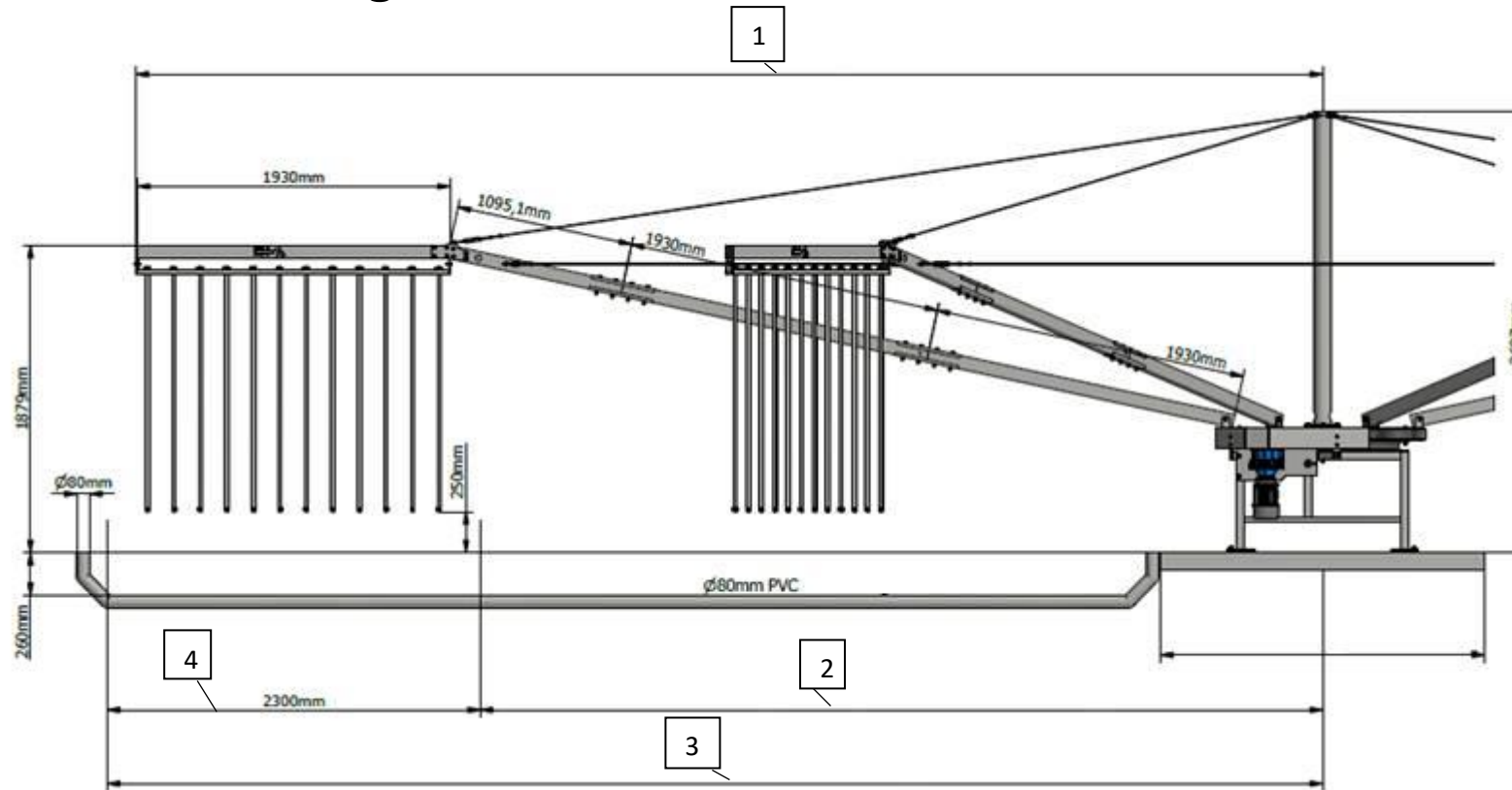
Step 9: Fixing of the pusher gates



Step 10: Installation of electricity



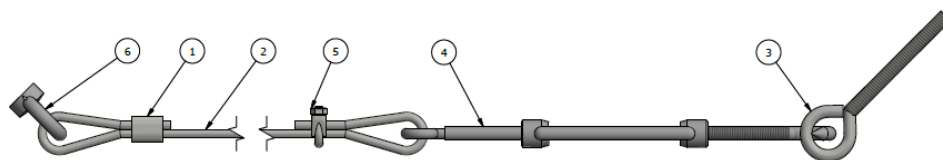
Attachment 1: Length of the arms and cables



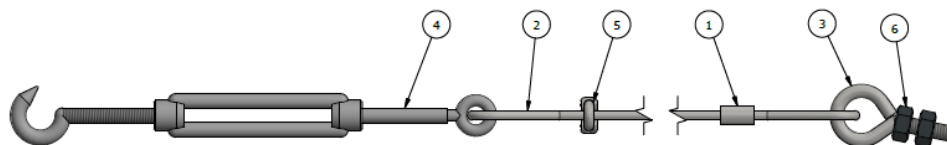
Walker	1. Length	2. Measurement at centre line of Inner fence	3. Measurement at centre line of external fencing	4. Length
10 Mtr	4825 mm	2700 mm	5000 mm	2300 mm
11 Mtr	5325 mm	3200 mm	5500 mm	2300 mm
12 Mtr	5825 mm	3700 mm	6000 mm	2300 mm
15 Mtr	7325 mm	5200 mm	7500 mm	2300 mm
16 Mtr	7825 mm	5700 mm	8000 mm	2300 mm
18 Mtr	8825 mm	6700 mm	9000 mm	2300 mm
20 Mtr	9825 mm	7700 mm	10000 mm	2300 mm

Attachment 2: length of the arms, cable and radius.

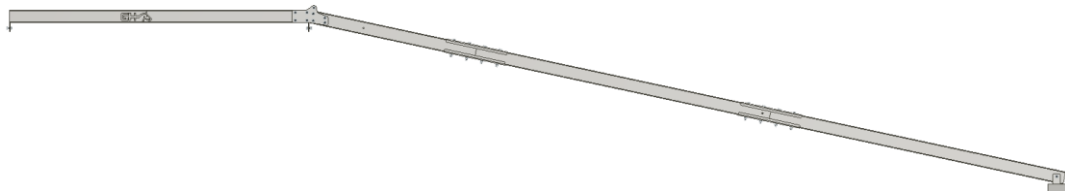
Cable 1: between 2 arms



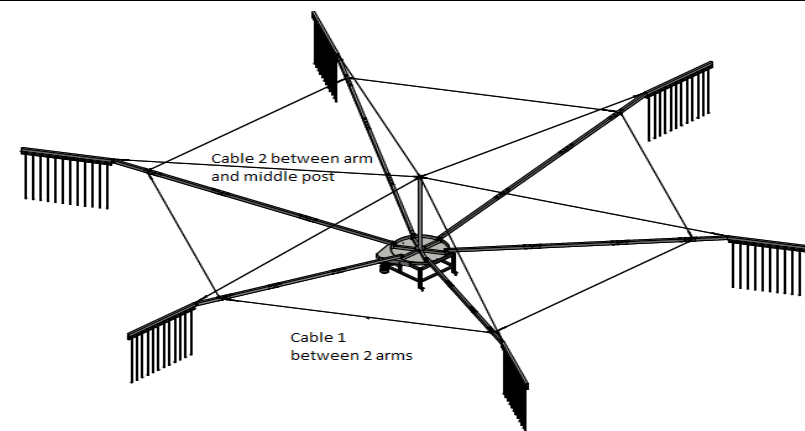
Cable 2: between arm and middle post



Arms 80x60 mm



Attention! The cable length above is without tensioner.



Walker	Horses	Cable 1	Cable 2	Arm tubes	Radius
10m	3	4126	2715	1x 1930mm, 1x 571mm	5m
12m	3	5848	3642	1x 1930mm, 1x 1576,1mm	6m
12m	4	4697	3642	1x 1930mm, 1x1576,1mm	6m
15m	4	6807	5124	2x 1930mm, 1x1095,1mm	7,5m
16m	4	7512	5619	2x 1930mm, 1x1584,3mm	8m
15m	6	4700	5124	2x 1930mm, 1x1095,1mm	7,5m
16m	6	5199	5619	2x 1930mm, 1x1584,3mm	8m
18m	6	6197	6611	3x 1930mm, 1x637.8,mm	9m
20m	6	7195	7603	3x 1930mm, 1x 1625,7mm	10m