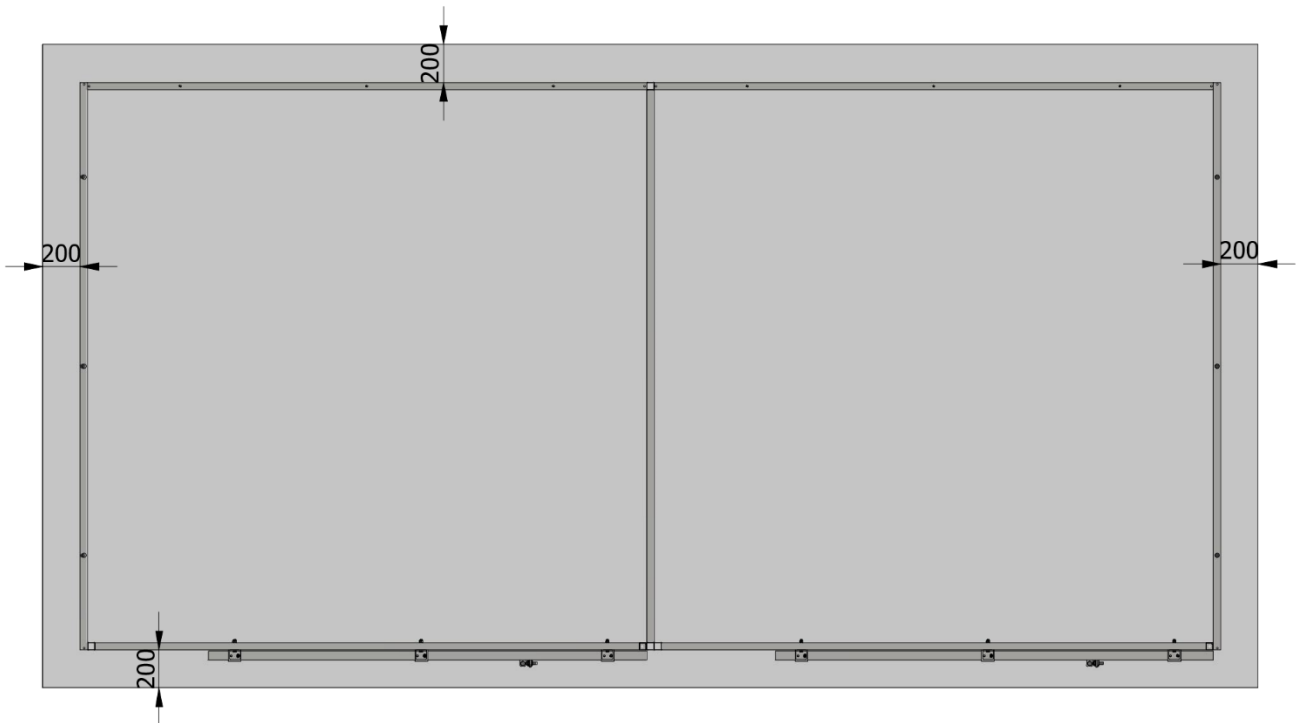
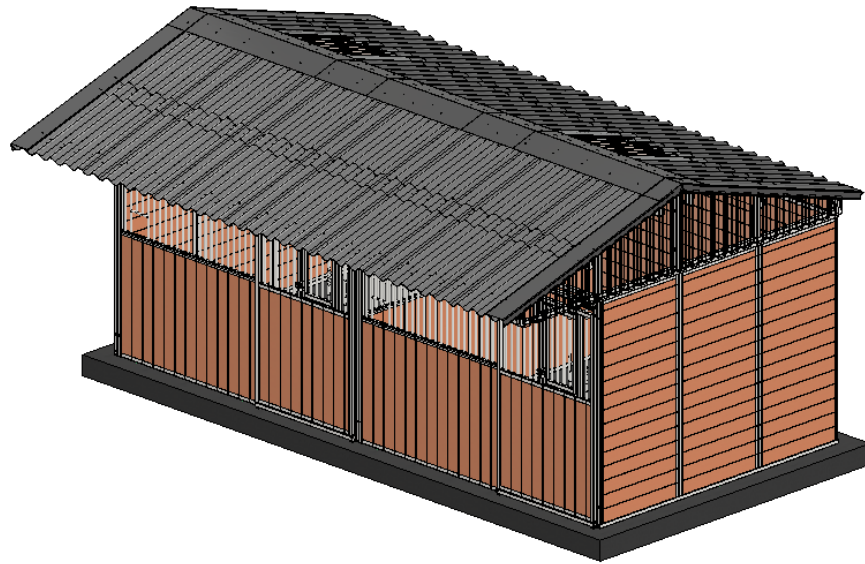


Installation manual - roof outdoor stables

(first use installation manual standard stables)



Important:

Make the concrete floor at least 20 cm bigger than size of the outdoor stable. To avoid damage by storms connect the stable to the floor and the roof with all the delivered screws and plugs!


Lees eerst:

1. Hoewel we de frames na het verzinken controleren, kan het voorkomen dat er nog scherpe druppels zink aan de frames zitten. Gebruik rubberen handschoenen om je handen te beschermen. Voor je de paarden in de stal doet, controleer altijd op eventuele scherpe druppels. Deze kun je eenvoudig met een ijzervijl verwijderen.
2. De wanden zijn zwaar. Installeer altijd met minimaal 2 personen.
3. Gebruik alleen veilig gereedschap, zoals een goede veilige tafelzaag met scherp zaagblad.
4. Gebruik persoonlijke bescherming tijdens het monteren, zoals handschoenen, werkschoenen, veiligheidsbril en gehoorbescherming.
5. Bij vragen kun je altijd bellen: +31 485 470868

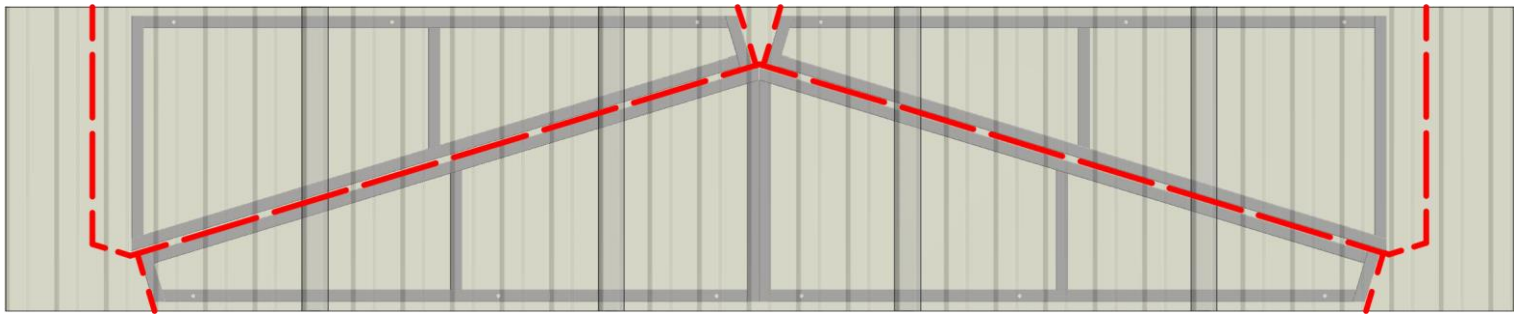
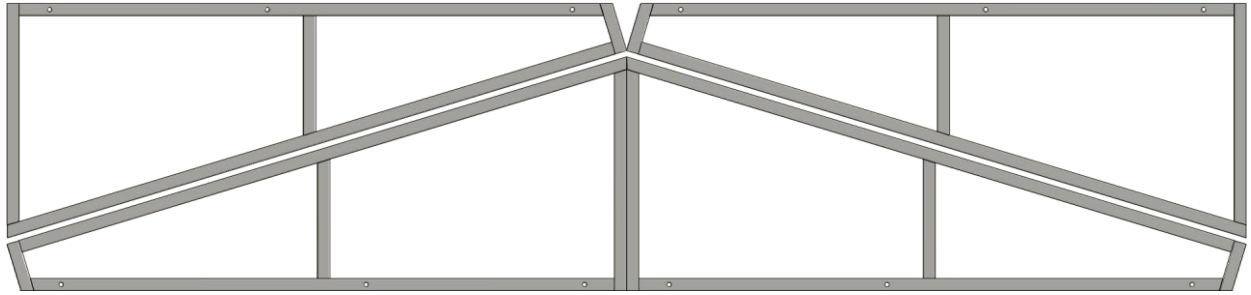
Read first:

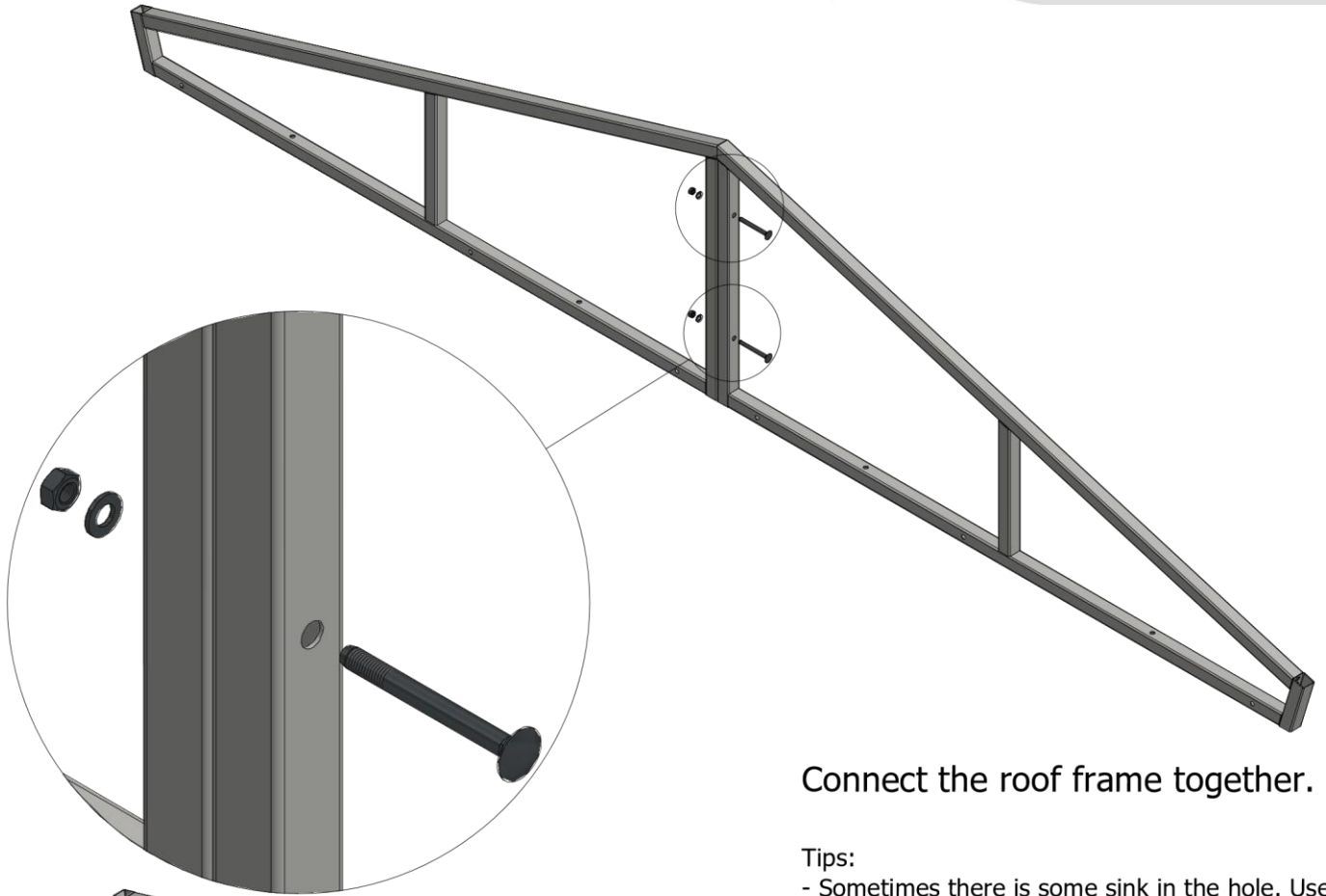
1. However we check the stables after galvanisation, there are sometimes some sharp drops of zinc at the frames. Use rubber gloves to protect your hands. Before putting your horse in the stables first check all sharp drops and remove them with a iron file.
2. The frames are heavy. Always do the installation with at least 2 persons.
3. Use only secure and good tools like a cross saw table with a sharp saw blade.
4. Use personal protection like rubber gloves, working shoes, security glasses and hearing protection!
5. If there are any questions please phone: +31 485 470868

Tools needed:

	Cordless drill		Wrenches 13 – 17 – 19 – 24 mm	 Mobile scaffold
	Metal drill 10 mm Stone drill 12 mm		Level	
	Hammer		Tape measure	
	Inbus set		Saw table	
	Hammer drill		Torx bits Cross bits	
			Angle grinder	

Saw the transparant sheets
like in the drawing below





Connect the roof frame together.

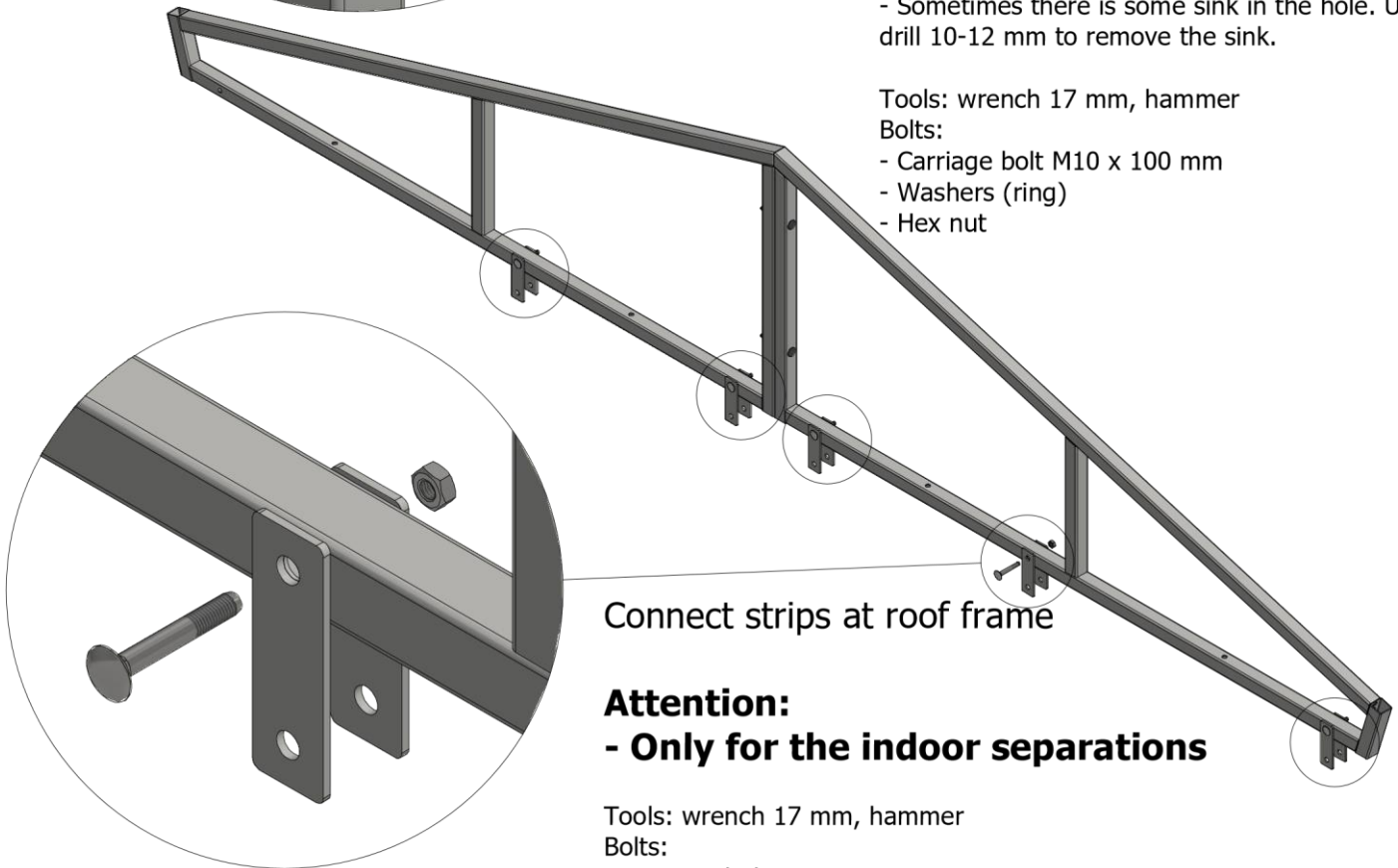
Tips:

- Sometimes there is some sink in the hole. Use a drill 10-12 mm to remove the sink.

Tools: wrench 17 mm, hammer

Bolts:

- Carriage bolt M10 x 100 mm
- Washers (ring)
- Hex nut



Connect strips at roof frame

Attention:

- Only for the indoor separations

Tools: wrench 17 mm, hammer

Bolts:

- Carriage bolt M10 x 70 mm
- Washers (ring)

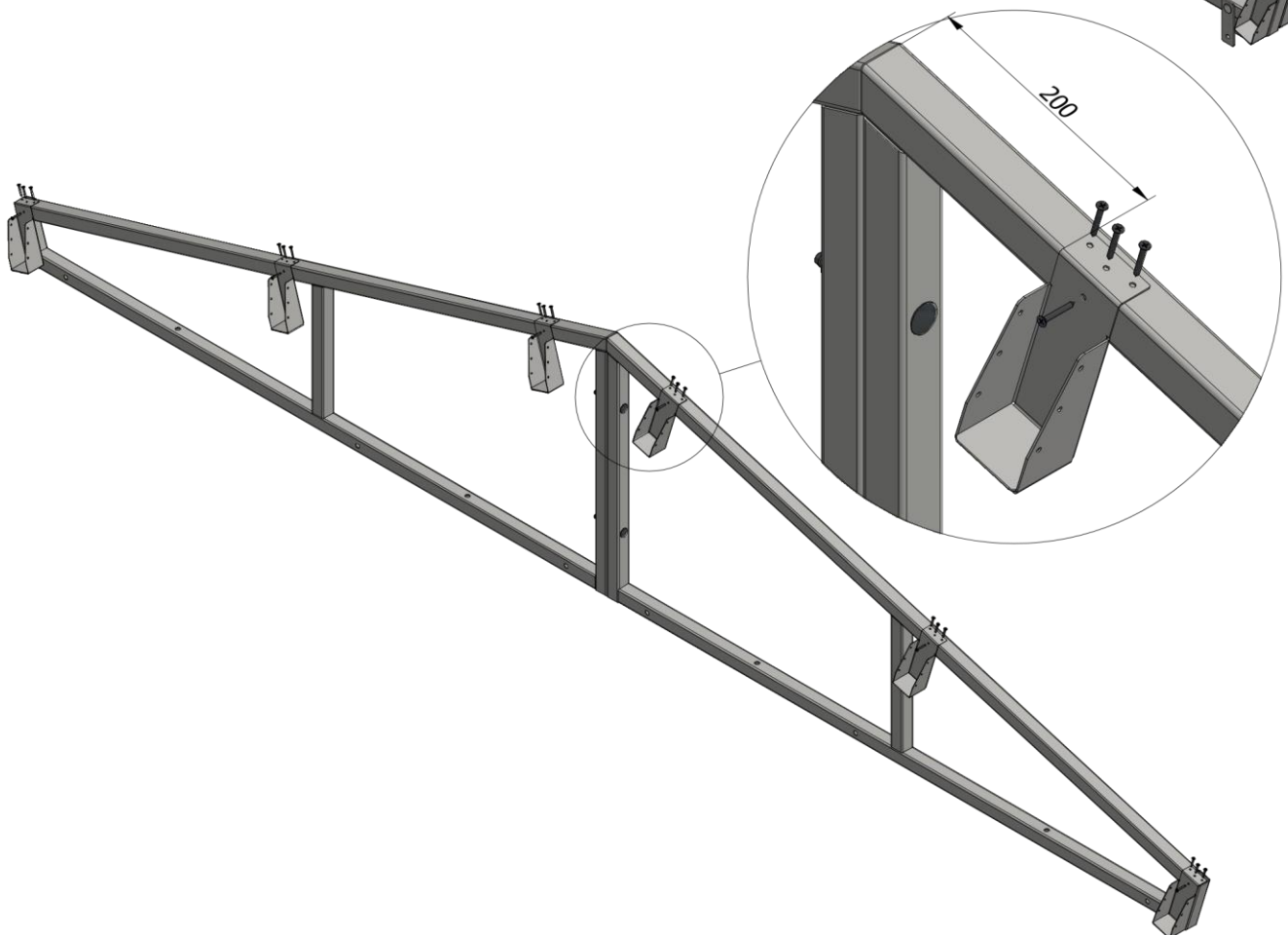
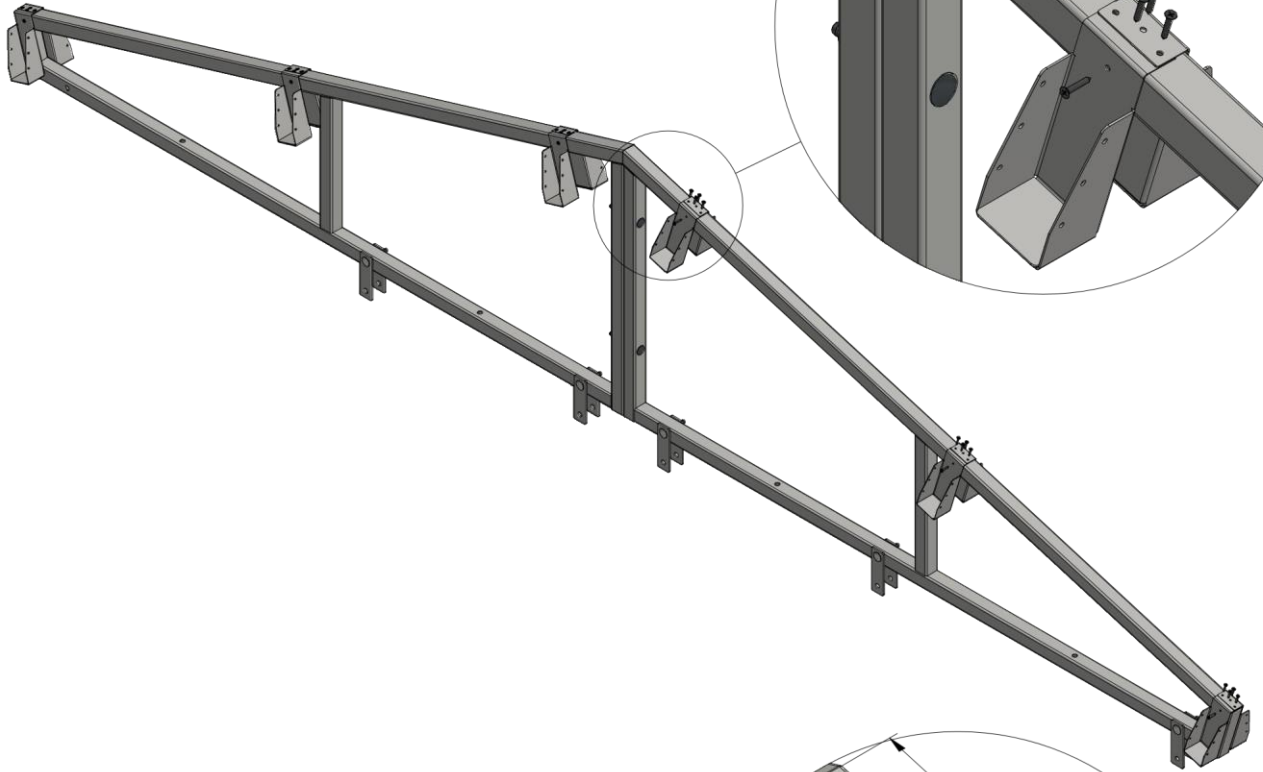
- Hex nut Fix the purling anchors on the roof frame.

Distance depending on the size of the sables.

See attachment 1 sizes different types of roof.

Bolts:
- Self drilling cross screw

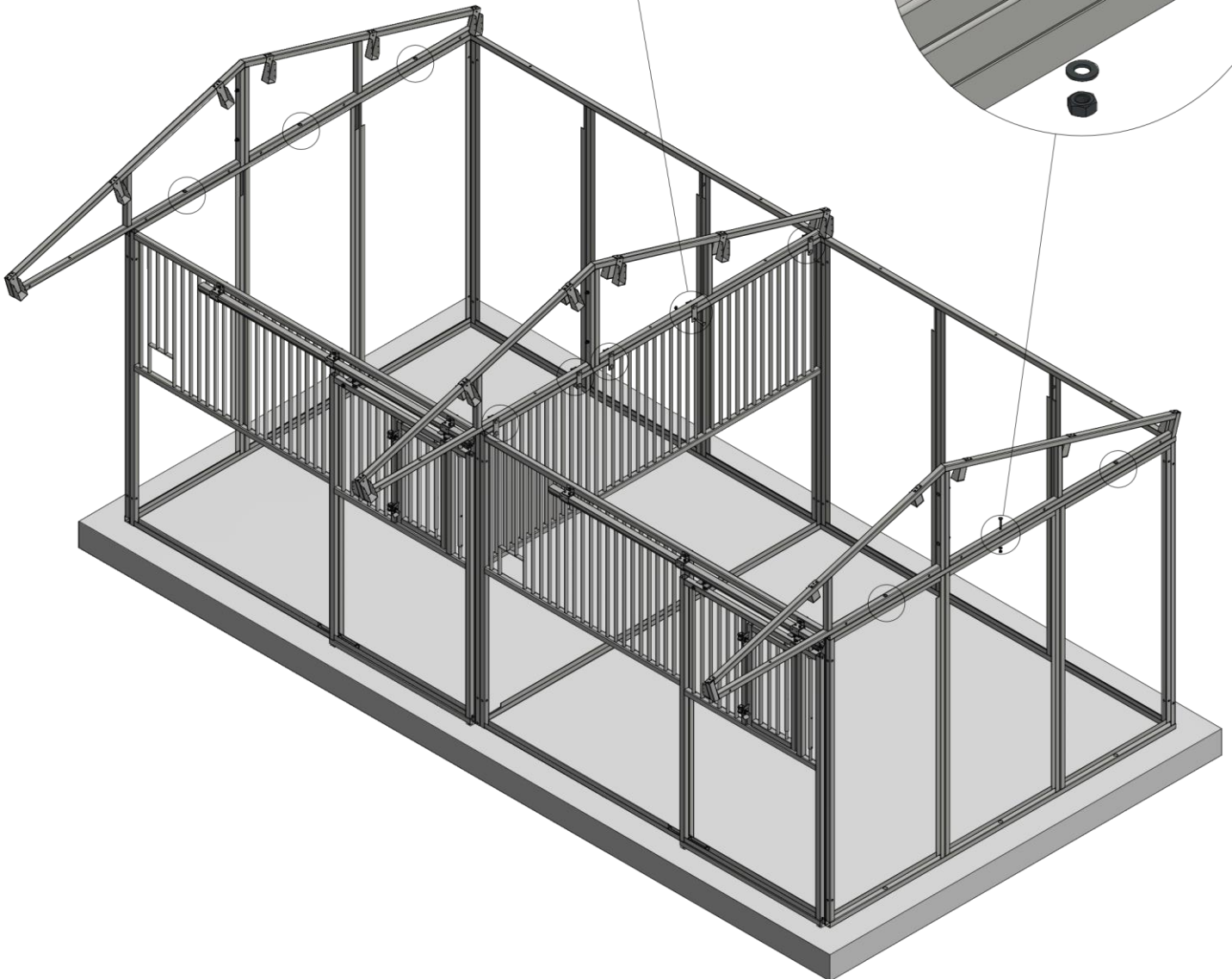
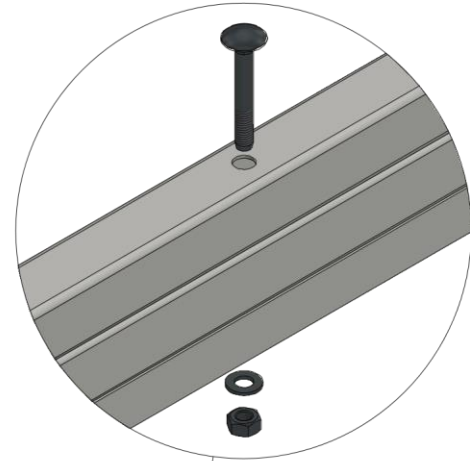
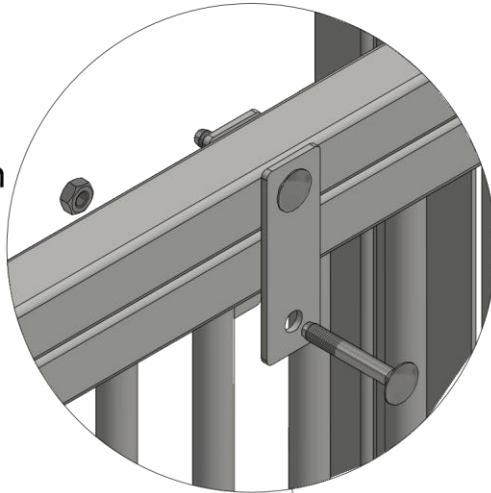
Toos:
- Cordless drill
- Cross bits



Connect the roof frame on stable.

Tips:
- Look at detail outside frames and inside frames.

Tools: wrench 17 mm, hammer
Bolts:
- Carriage bolt M10 x 70 mm
- Washers (ring)
- Hex nut



Install wooden purlins.

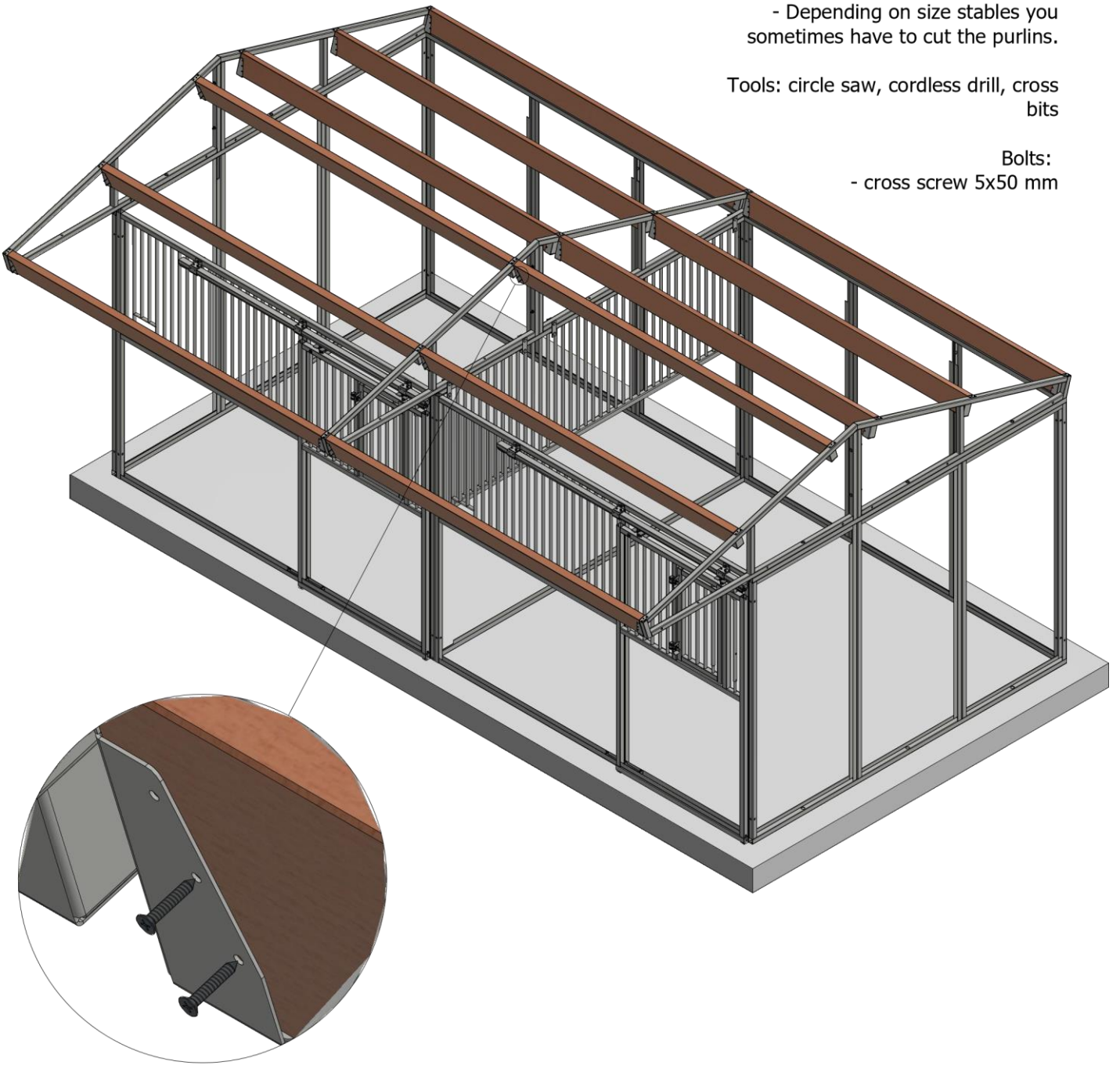
Tips:

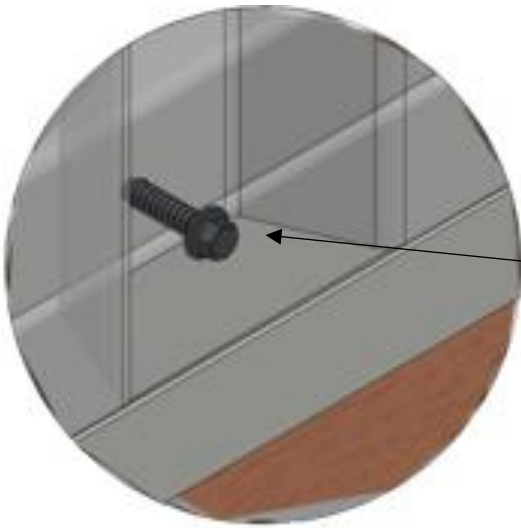
- Depending on size stables you sometimes have to cut the purlins.

Tools: circle saw, cordless drill, cross bits

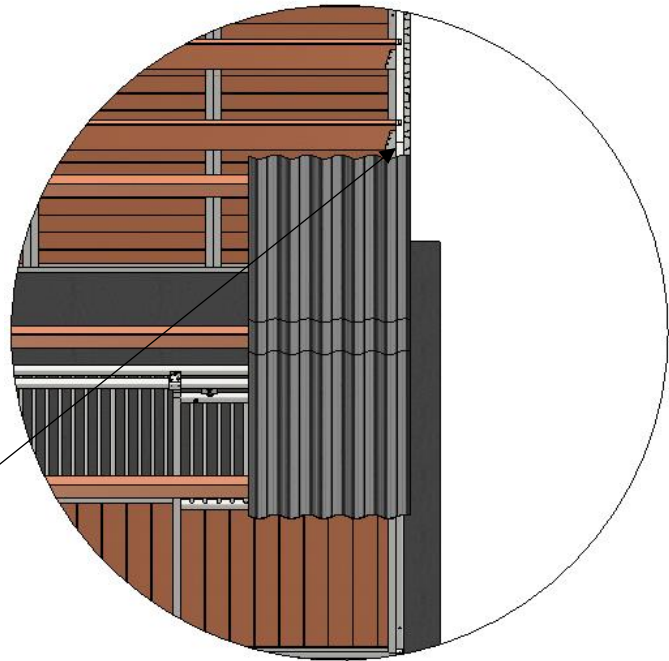
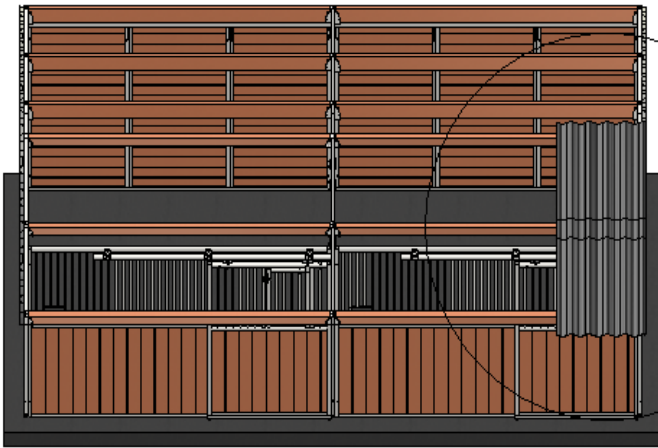
Bolts:

- cross screw 5x50 mm

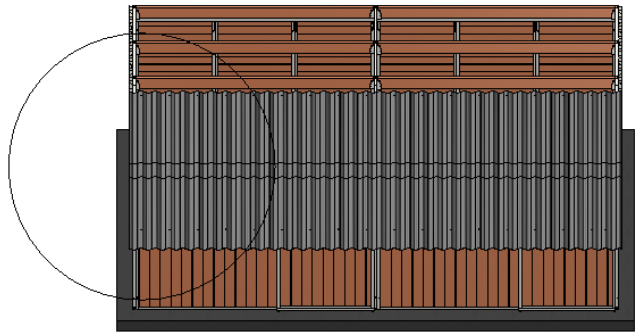
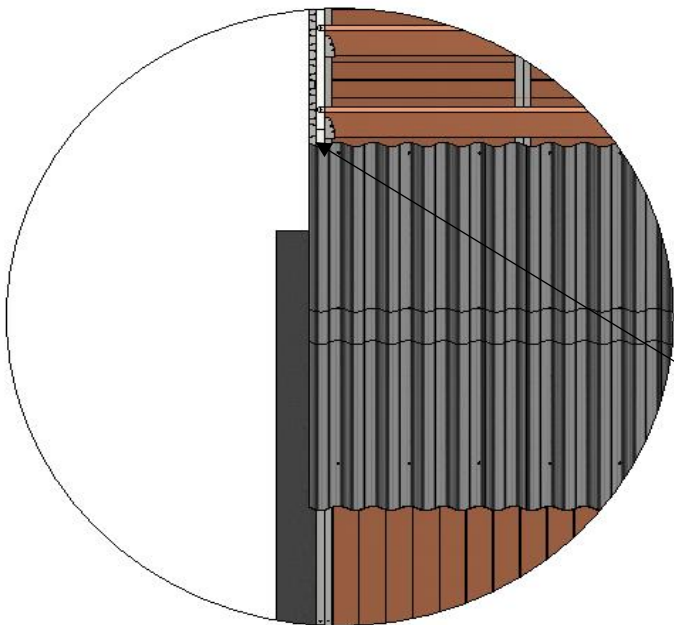




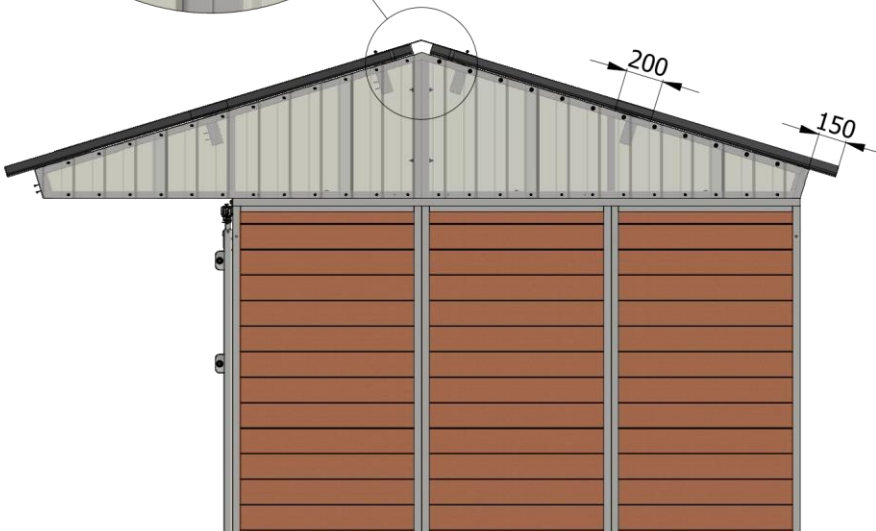
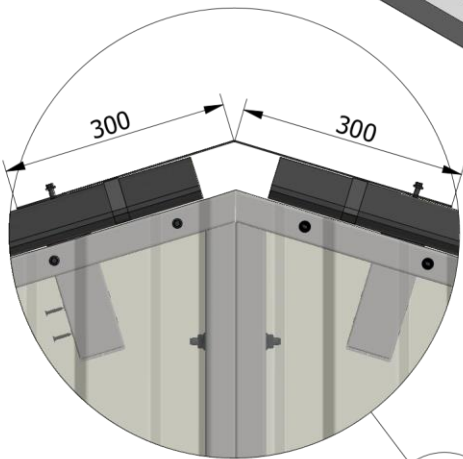
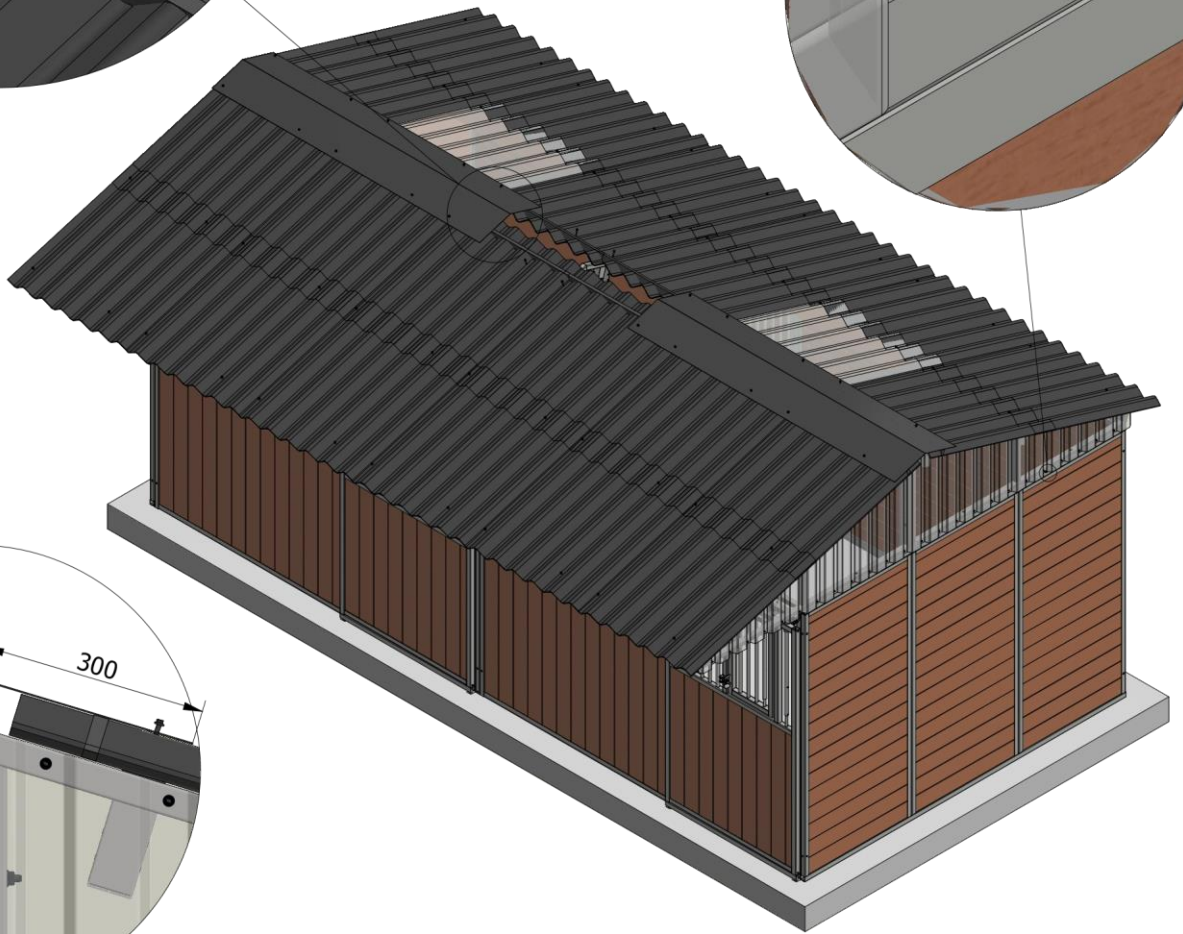
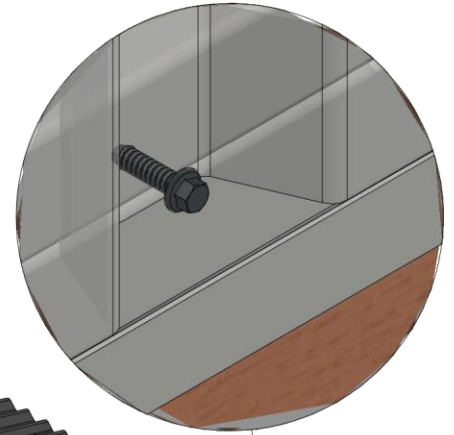
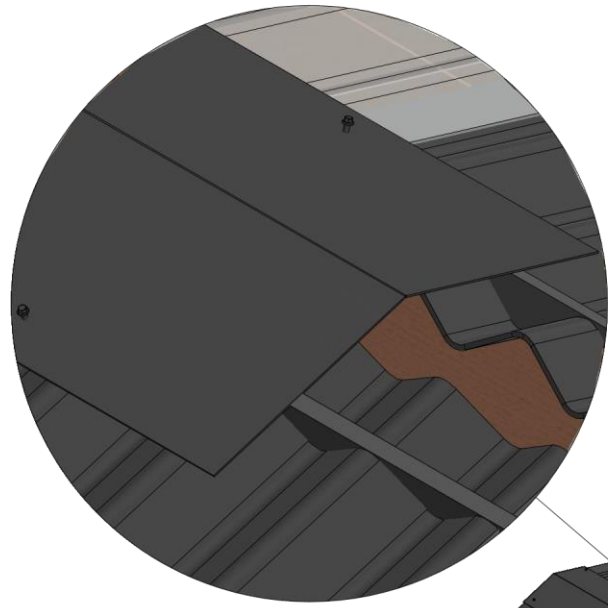
Make sure that before you start fitting the corrugated sheets, you mount the transparent sheets (see earlier steps above)



After fitting the transparent sheets you want your first row of corrugated sheets to start at the same length as the transparent sheets



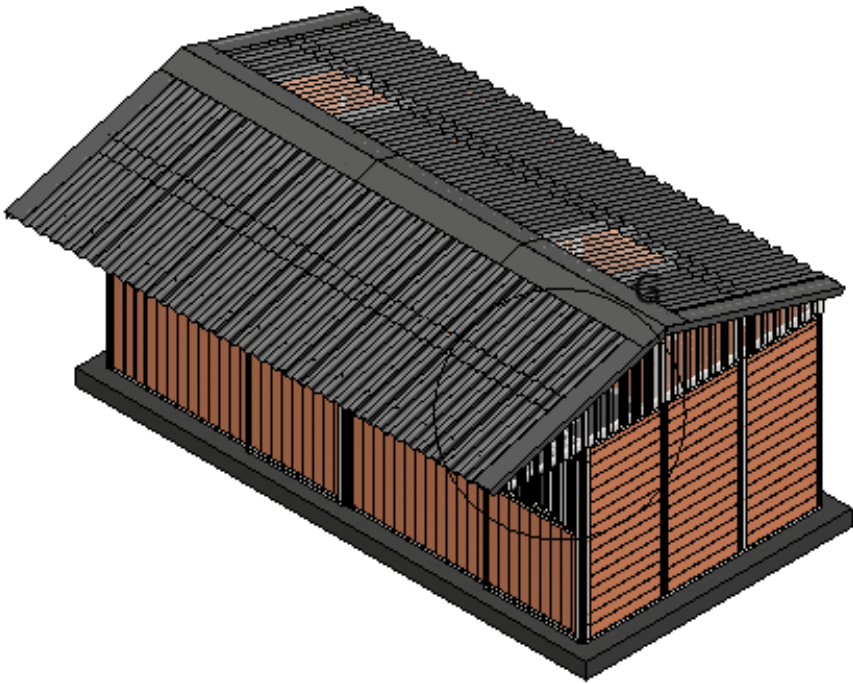
Once you finished placing the corrugated sheets, use the angle grinder and cut the last sheets so it fits along the transparent sheets perfectly



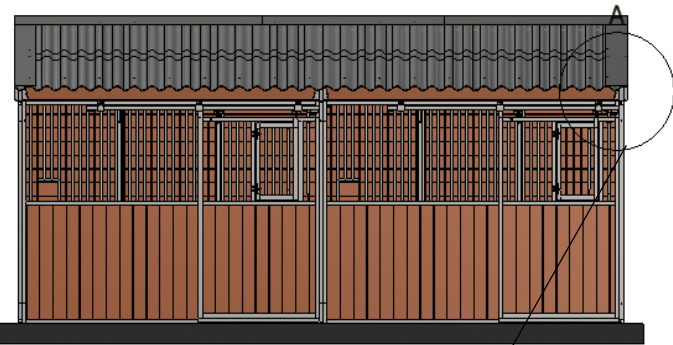
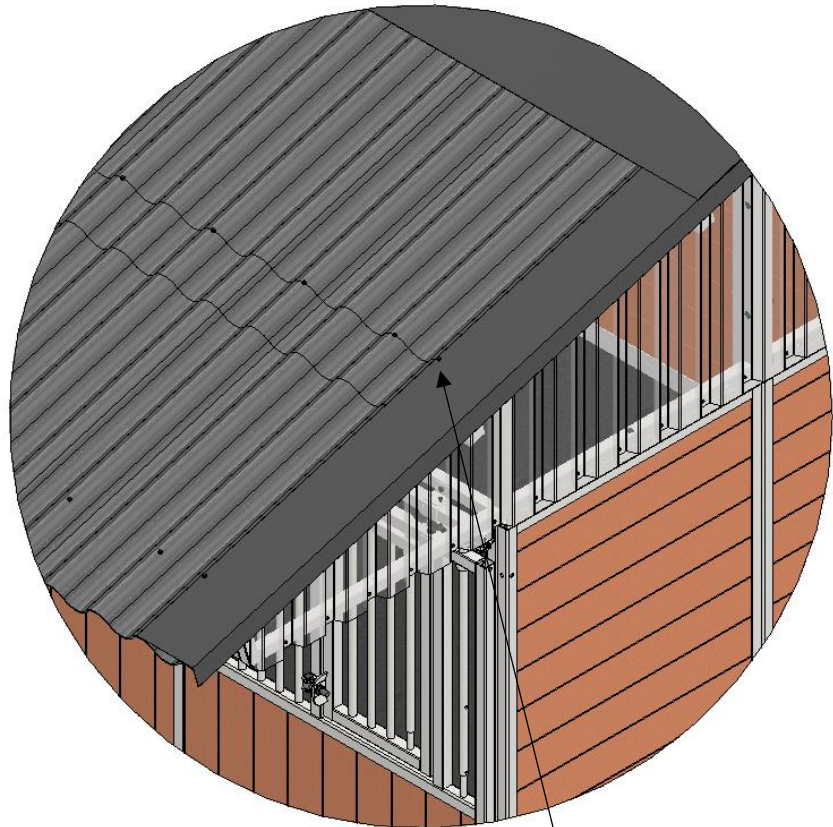
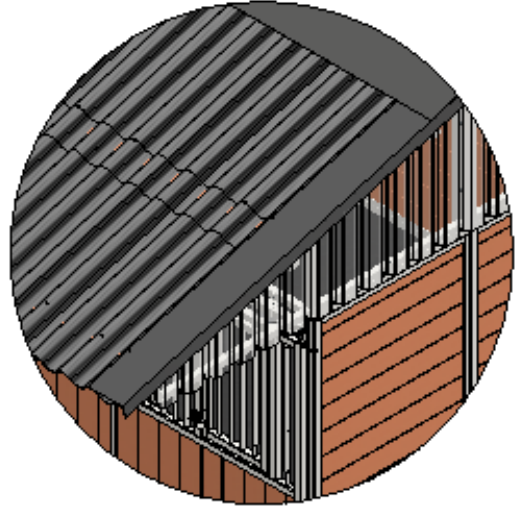
Install the fiber cement roof sheets.

For a detail plan we refer to our website to download: installation Humanit fiber cement sheets

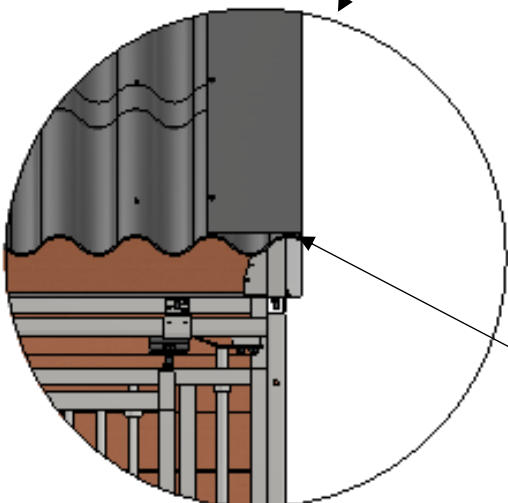
Install windspring



G



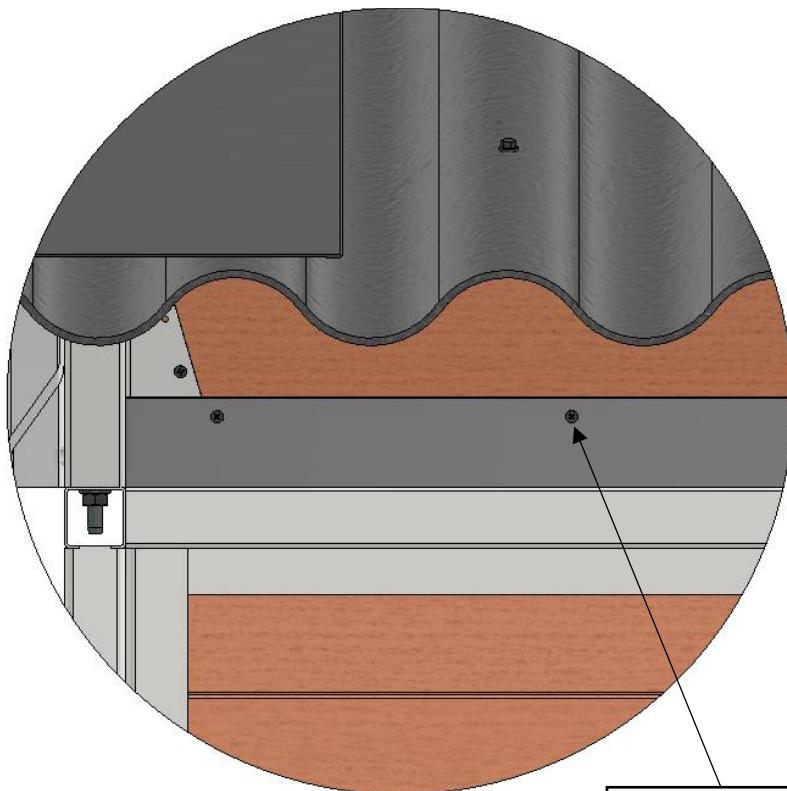
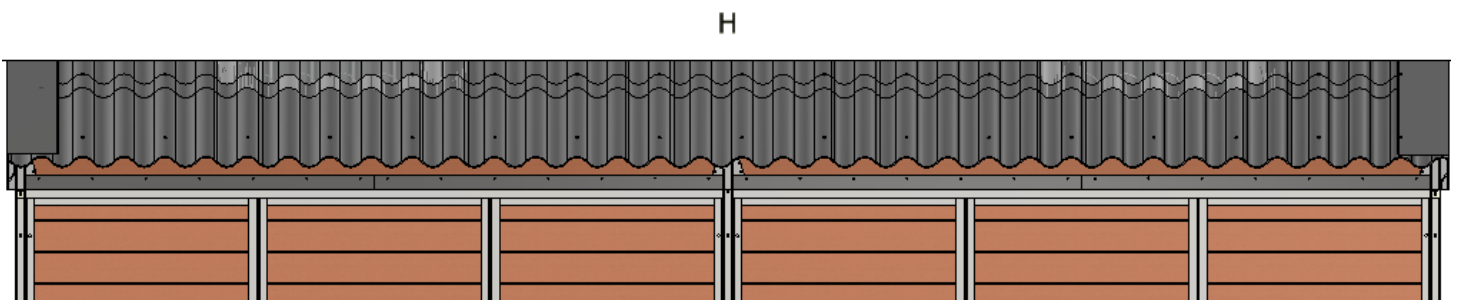
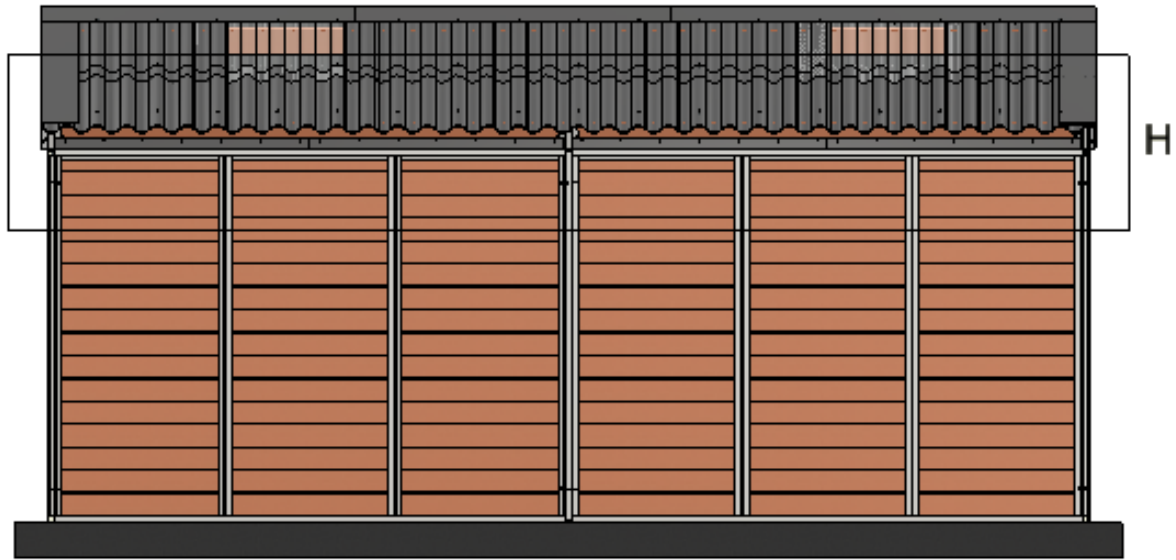
A



The 6,3 x 130mm screws go right through the wind spring, into the top of the corrugated sheets

The wind spring is mounted directly on the transparent sheet

Install cover plate (optional)



The 4 x 40mm screws go right through the plate into the wooden beam

Attachment 1: sizes different types of roof.

