

Installation manual standard stables








Lees eerst:

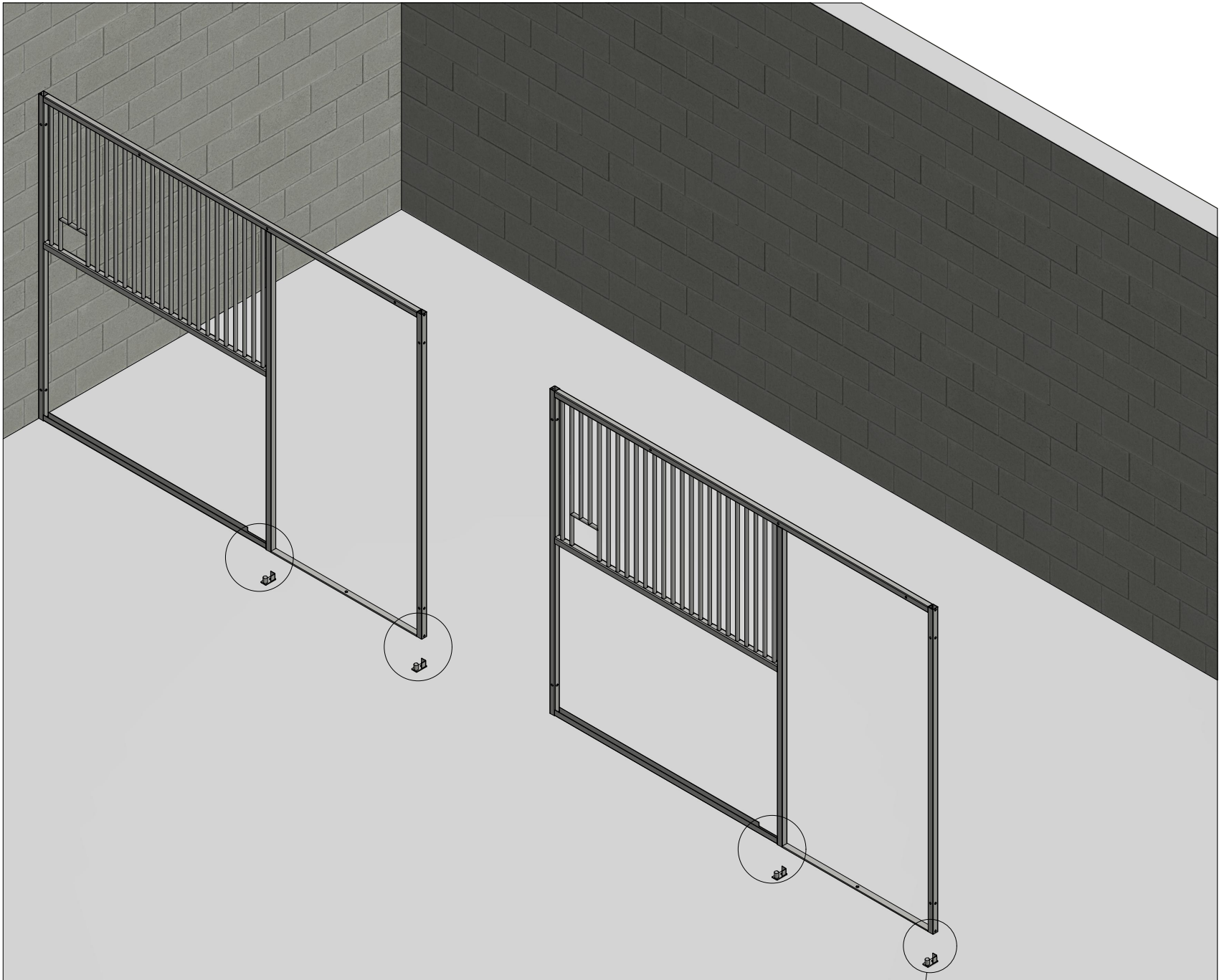
1. Hoewel we de frames na het verzinken controleren, kan het voorkomen dat er nog scherpe druppels zink aan de frames zitten. Gebruik rubberen handschoenen om je handen te beschermen. Voor je de paarden in de stal doet, controleer altijd op eventuele scherpe druppels. Deze kun je eenvoudig met een ijzervijl verwijderen.
2. De wanden zijn zwaar. Installeer altijd met minimaal 2 personen.
3. Gebruik alleen veilig gereedschap, zoals een goede veilige tafelzaag met scherp zaagblad.
4. Gebruik persoonlijke bescherming tijdens het monteren, zoals handschoenen, werkschoenen, veiligheidsbril en gehoorbescherming.
5. Bij vragen kun je altijd bellen: +31 485 470868

Read first:

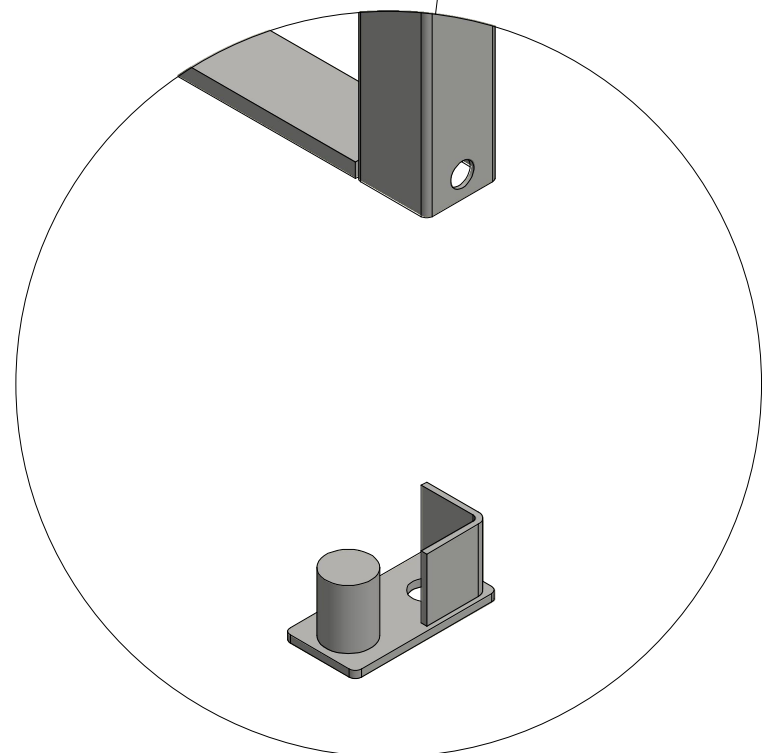
1. However we check the stables after galvanisation, there are sometimes some sharp drops of zinc at the frames. Use rubber gloves to protect your hands. Before putting your horse in the stables first check all sharp drops and remove them with a iron file.
2. The frames are heavy. Always do the installation with at least 2 persons.
3. Use only secure and good tools like a cross saw table with a sharp saw blade.
4. Use personal protection like rubber gloves, working shoes, security glasses and hearing protection!
5. If there are any questions please phone: +31 485 470868

Tools needed:

	Cordless drill		Wrenches 13 – 17 – 19 – 24 mm
	Metal drill 10 mm Stone drill 12 mm		Level
	Hammer		Tape measure
	Inbus set		Saw table
	Hammer drill		Torx bits Cross bits

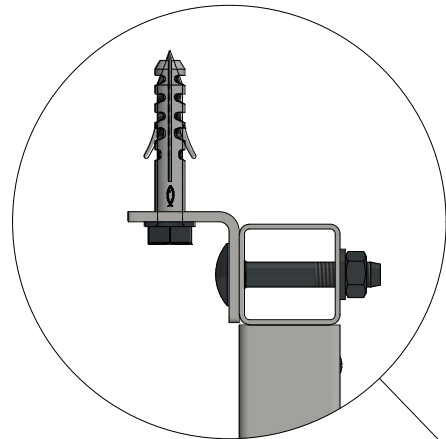


Installing the door guide under the front.



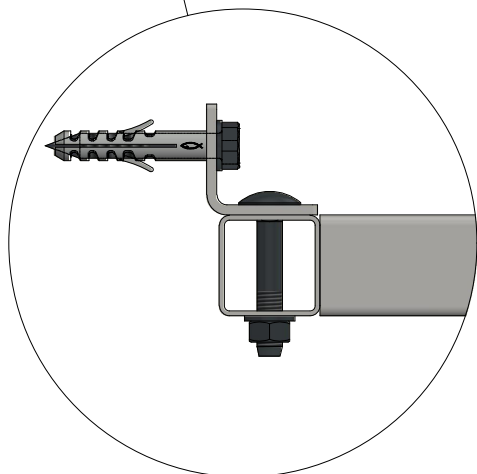
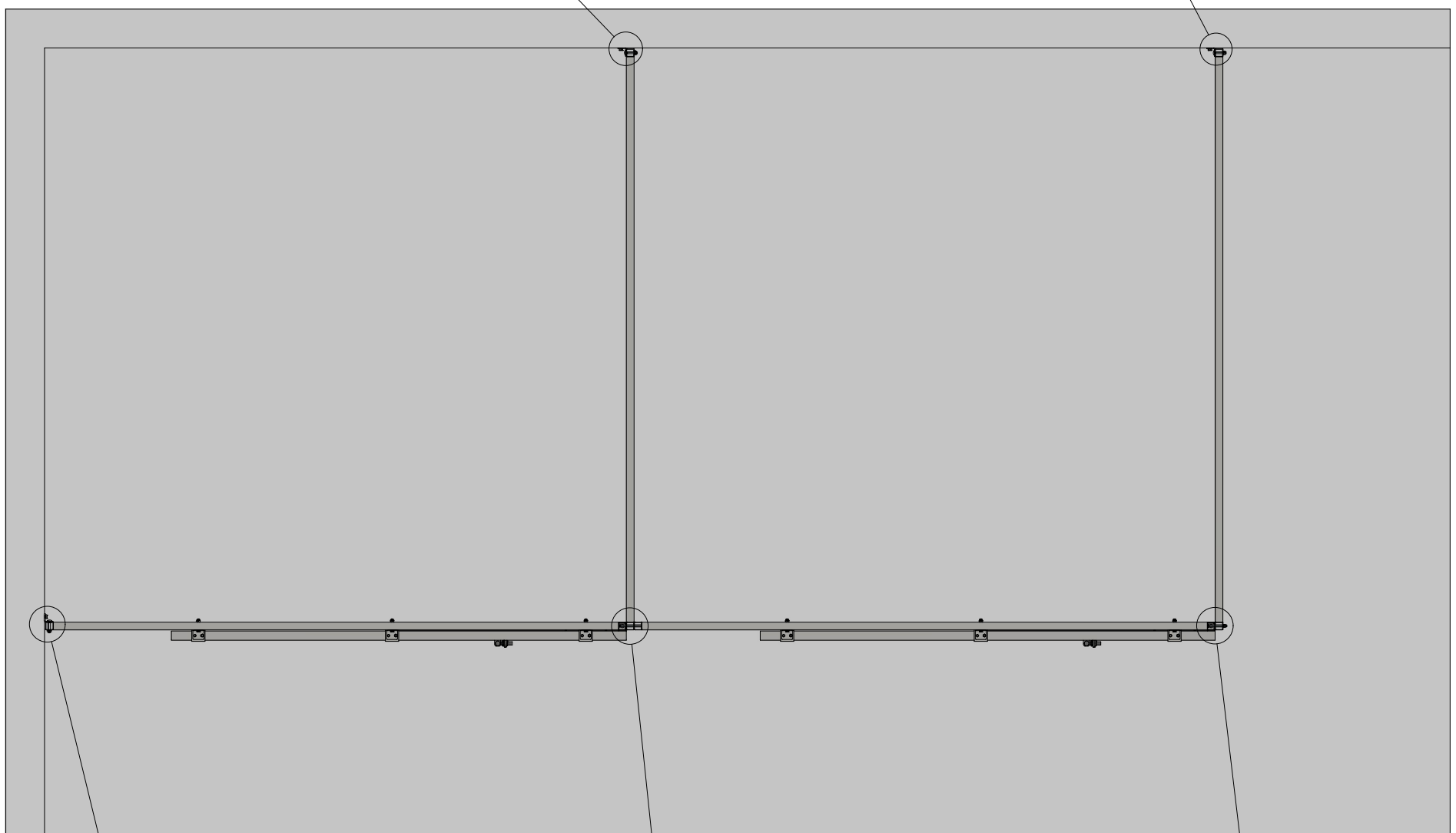
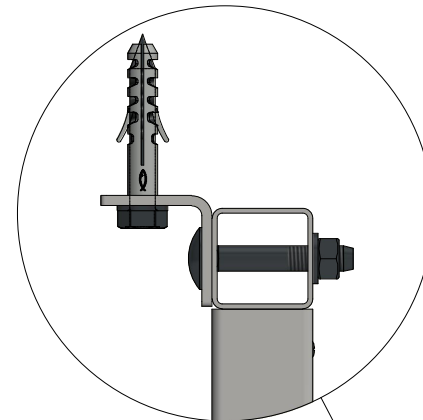
Connection to the wall:

- 2x Mounting angle 40x40
- 2x Hex wood screw M10x70
- 2x Plug M12
- 2x Carriage bolt M10x60
- 2x Hex nut M10
- 4x Washer (ring) M10



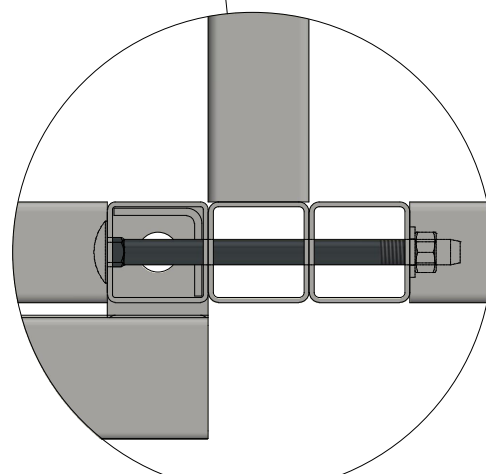
Connection to the wall:

- 2x Mounting angle 40x40
- 2x Hex wood screw M10x70
- 2x Plug M12
- 2x Carriage bolt M10x60
- 2x Hex nut M10
- 4x Washer (ring) M10



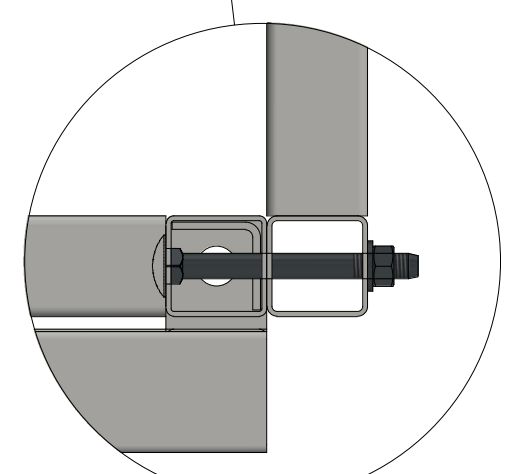
Connection to the wall:

- 2x Mounting angle 40x40
- 2x Hex wood screw M10x70
- 2x Plug M12
- 2x Carriage bolt M10x60
- 2x Hex nut M10
- 4x Washer (ring) M10



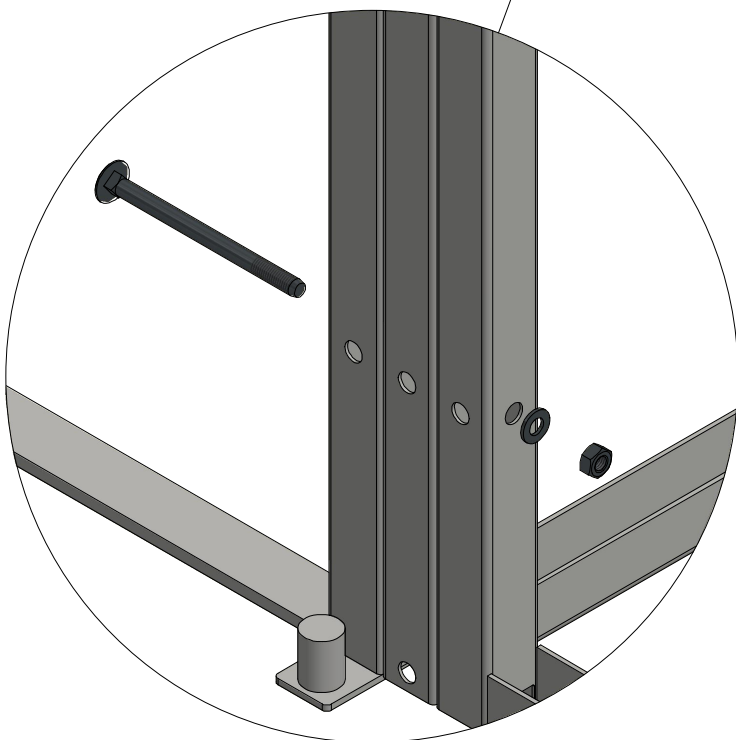
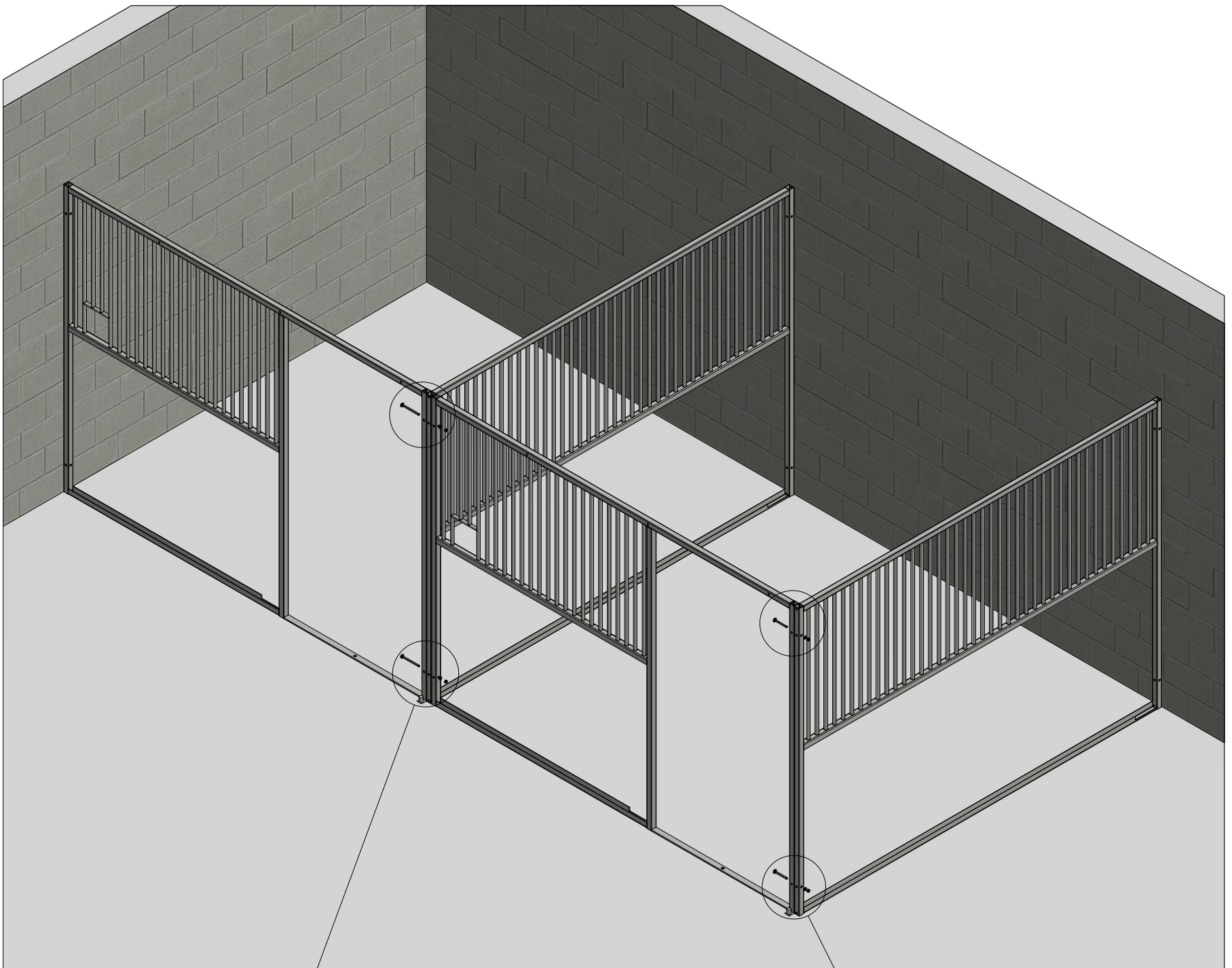
Connection separation (middle):

- 2x Carriage bolt M10x140
- 2x Washer (ring) M10
- 2x Hex nut M10



Connection separation (corner):

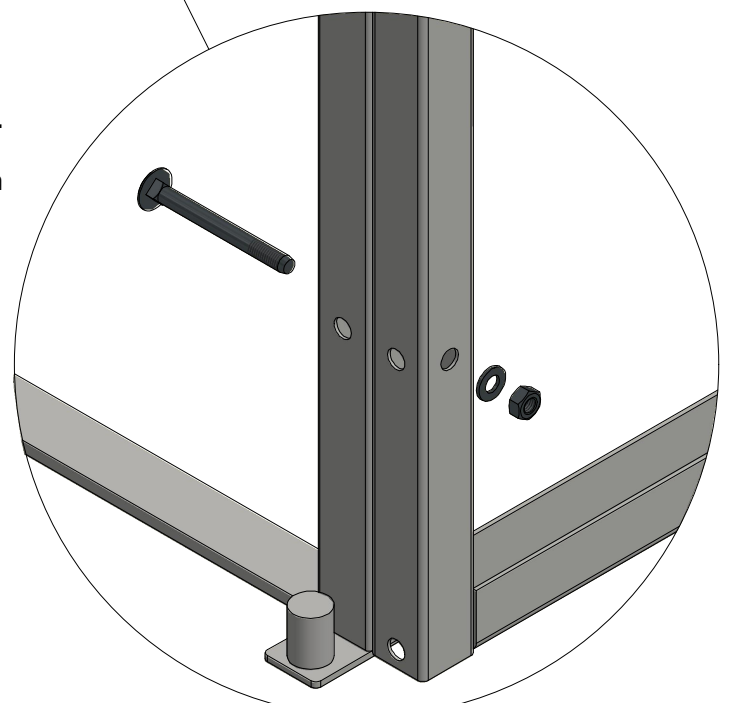
- 2x Carriage bolt M10x100
- 2x Washer (ring) M10
- 2x Hex nut M10

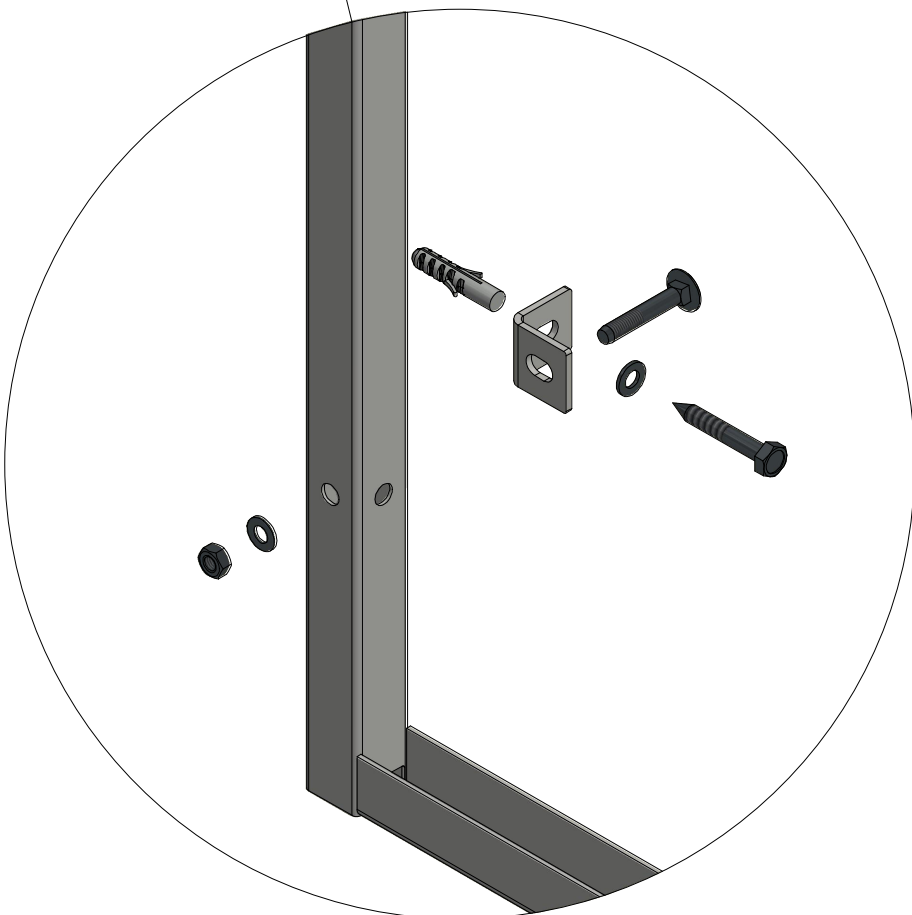
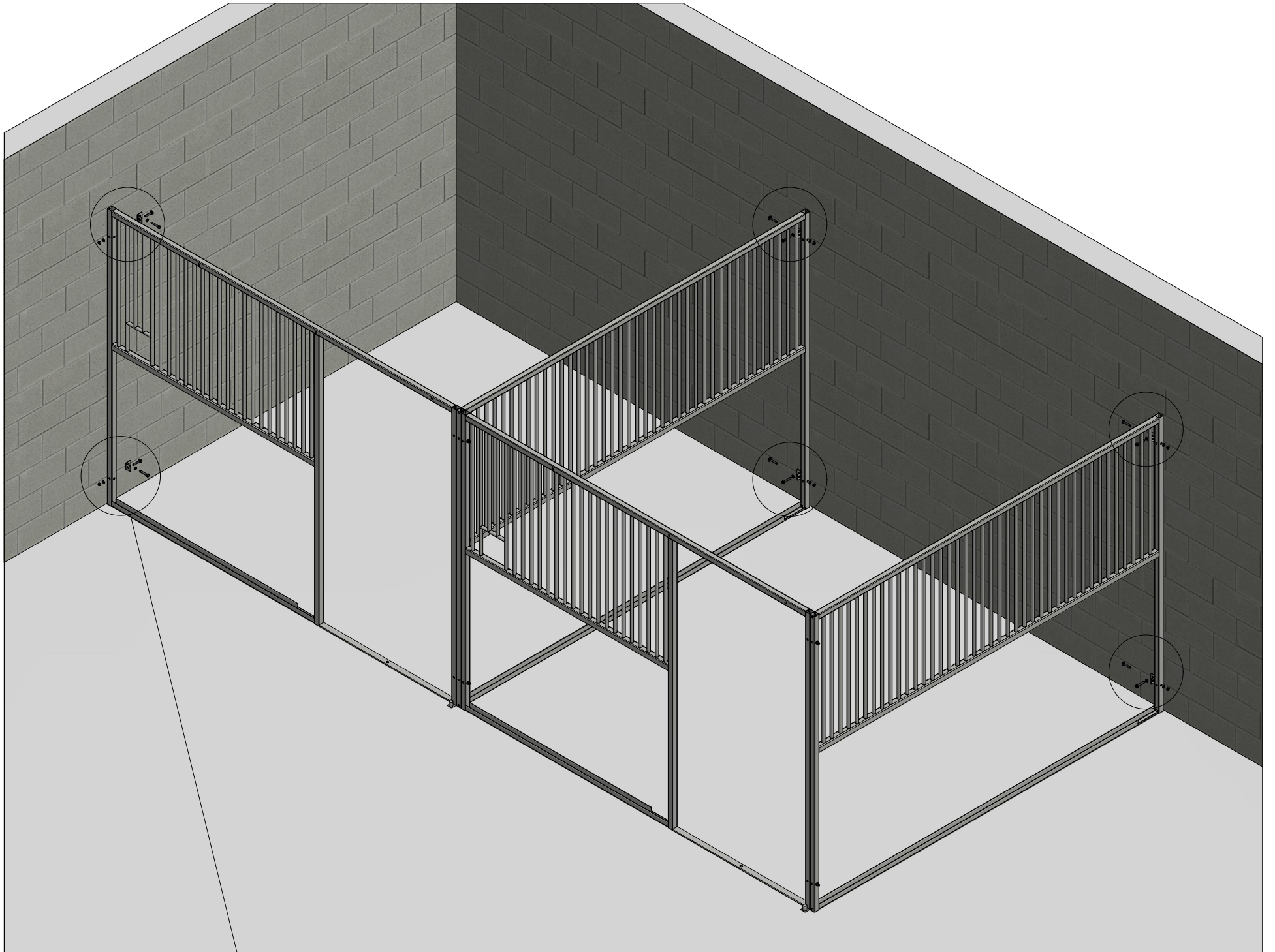


Connect the fronts with the separations.

Tips:
 - Install first the top carriage bolt.
 The frames don't fall anymore.
 - Sometimes there is some sink in the hole. Use a drill 10-12 mm to remove the sink.

Tools: wrench 17 mm, hammer
 Bolts:
 - Carriage bolt M10 x 140 mm
 - Carriage bolt M10 x 100 mm
 - Washers (ring)
 - Hex nut





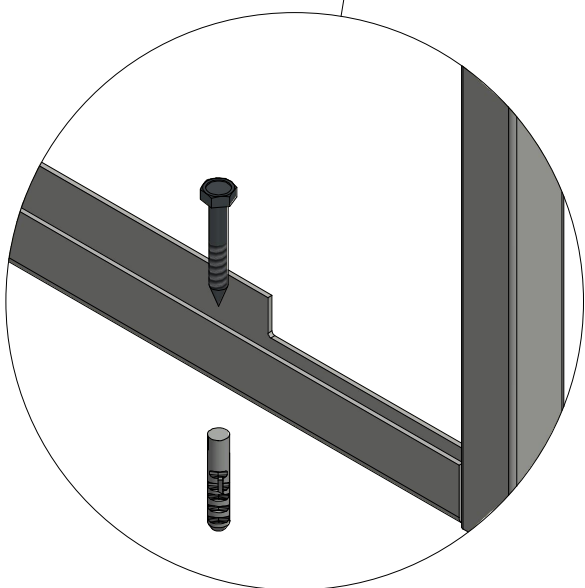
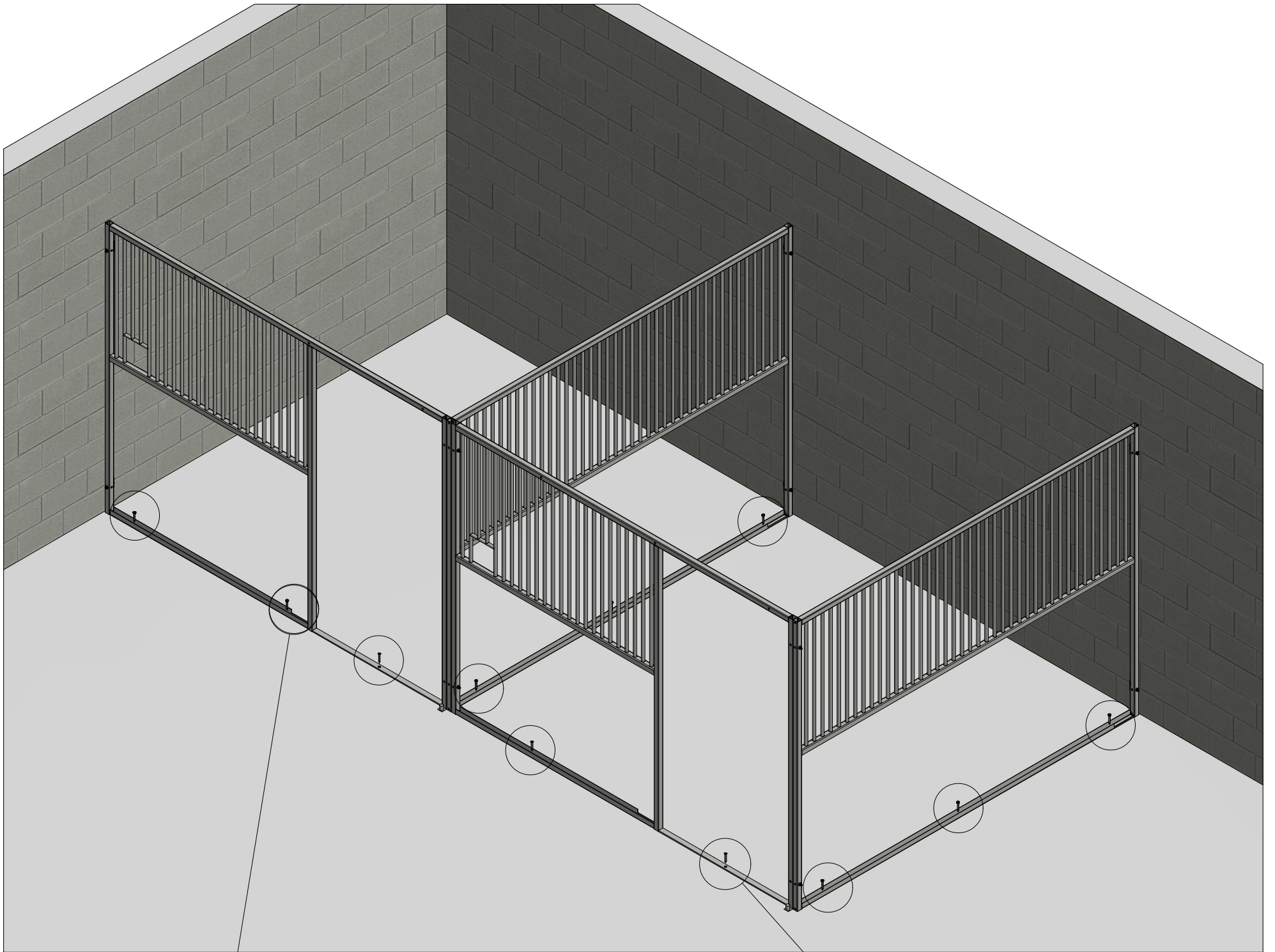
Connect the frames to the wall.

Tip: use tape measure and level

Tools: drill 12 mm, wrench 17 mm, hammer

Bolts:

- Mounting angle 40x40
- Hex wood screw M10x70
- Plug M12
- Carriage bolt M10x60
- Hex nut M10
- Washer (ring) M10



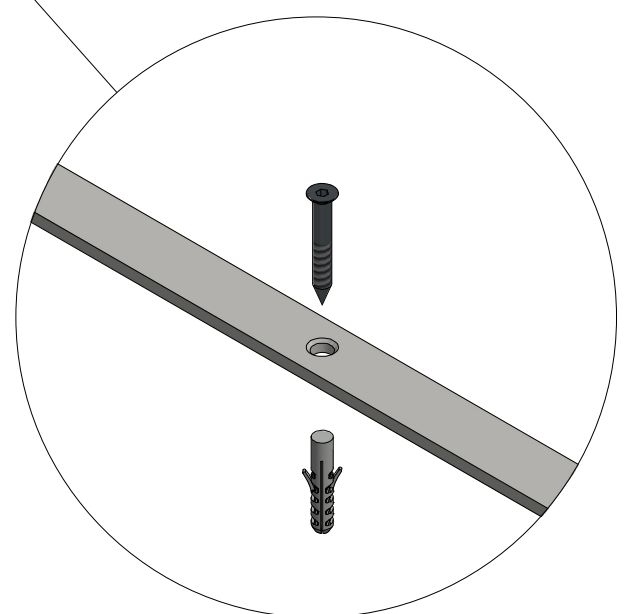
Connect the frames to the floor.

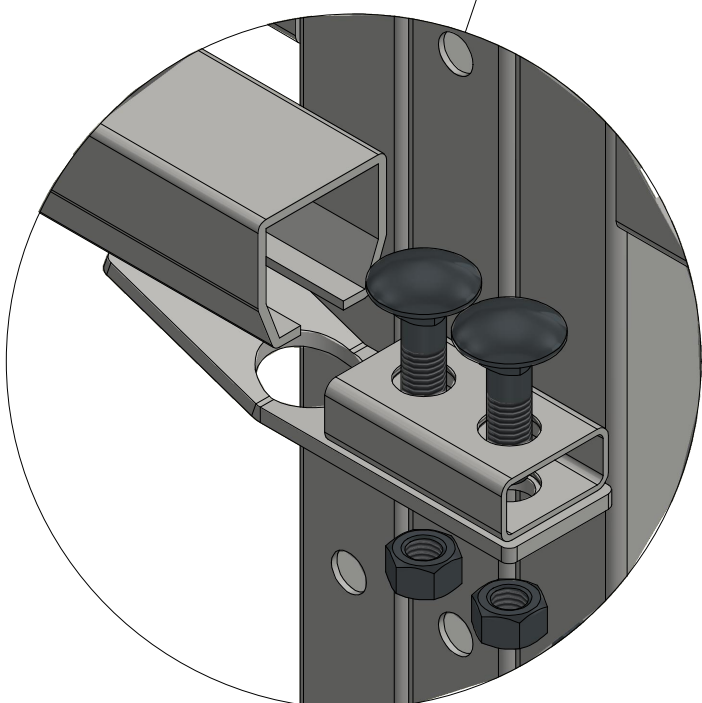
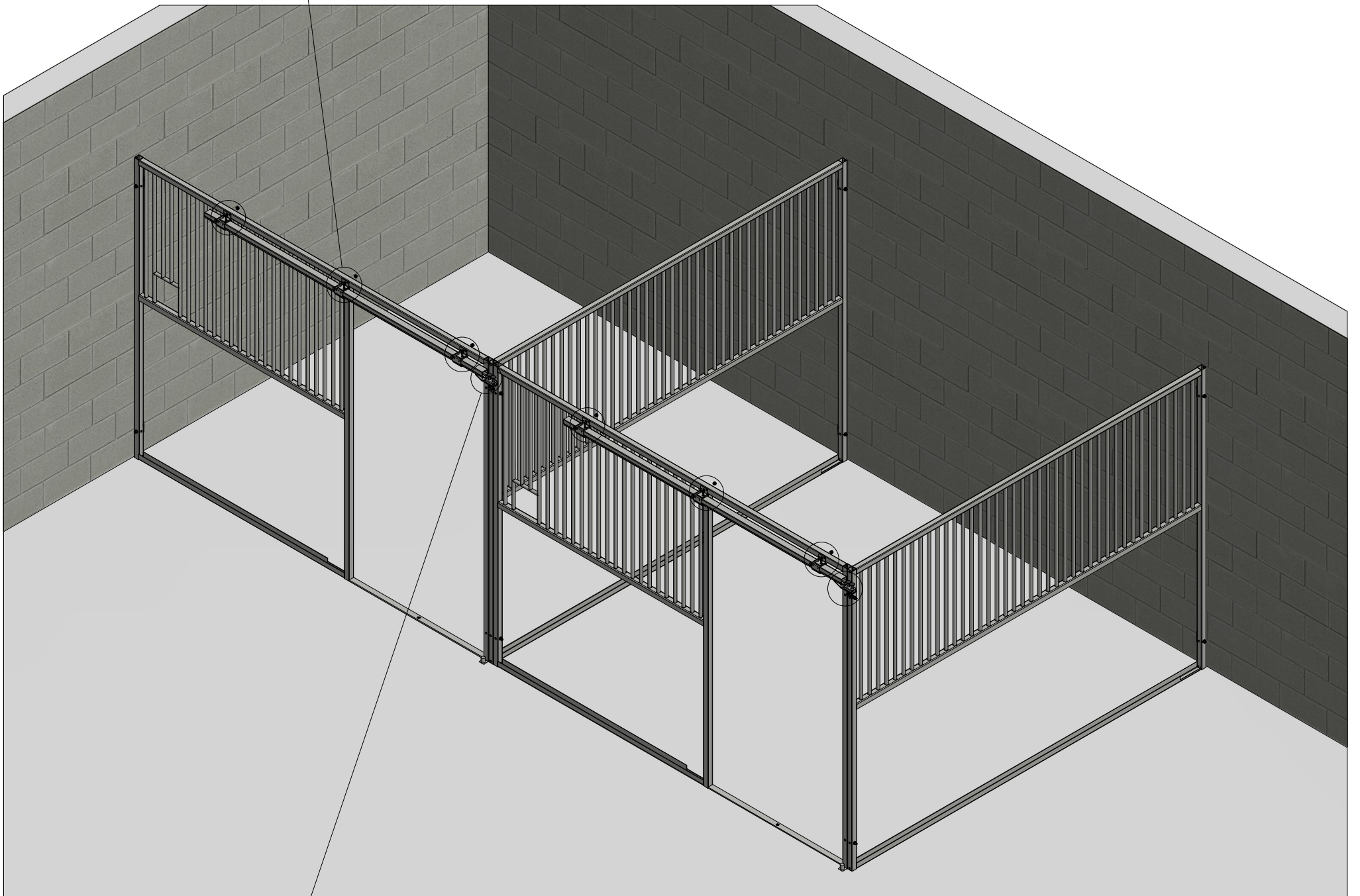
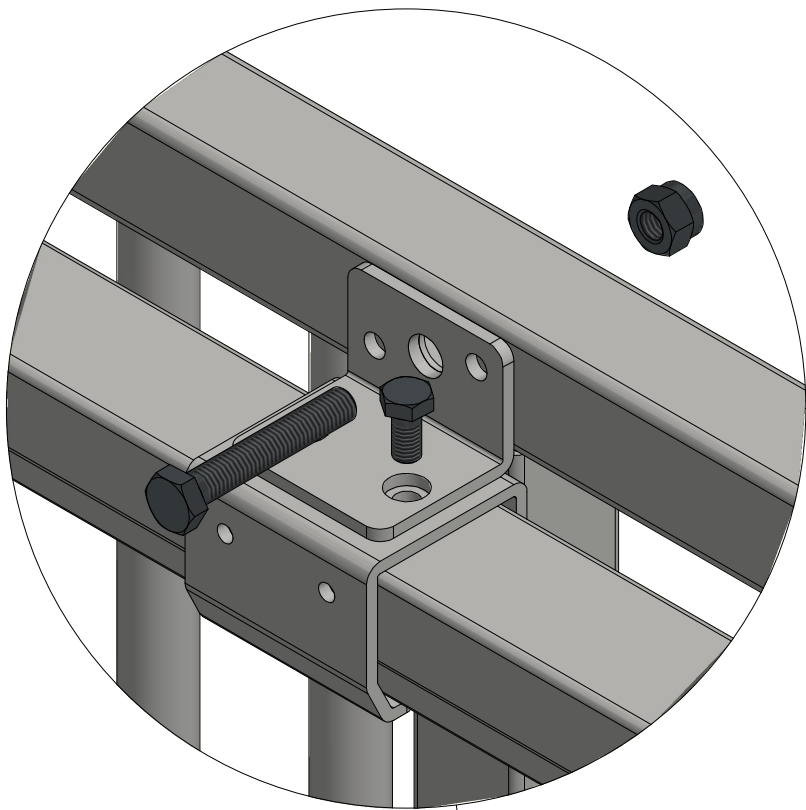
Tip: use tape measure and level. By the door we use a torx wood screw. The rest is hex wood screw.

Tools: drill 12 mm, wrench 17 mm, hammer

Bolts:

- Hex wood screw M10x70
- Torx wood screw M10x70
- Plug M12





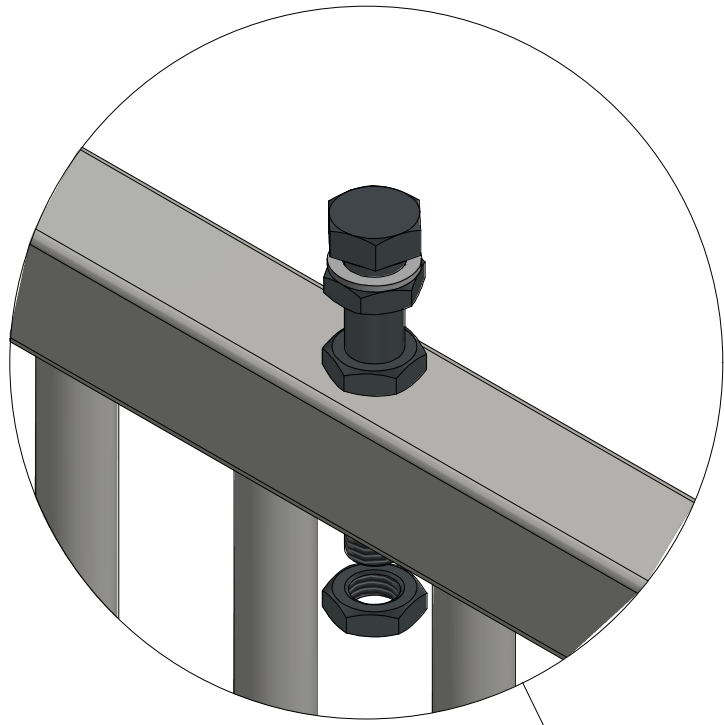
Connect the rail to the front

Tip: use the self locking hex nut for the rail holders.

Tools: wrench 13 mm, 2x wrench 17 mm, wrench 19 mm

Bolts:

- Hex bolt M10x70
- Self locking hex nuts
- Washers
- Rail locker with M12 bolts and hex nut - wrench 19 mm



Pre install the sliding door.

Tip: look at the detail drawing

Tools: wrench 24 mm, inbus 5 mm

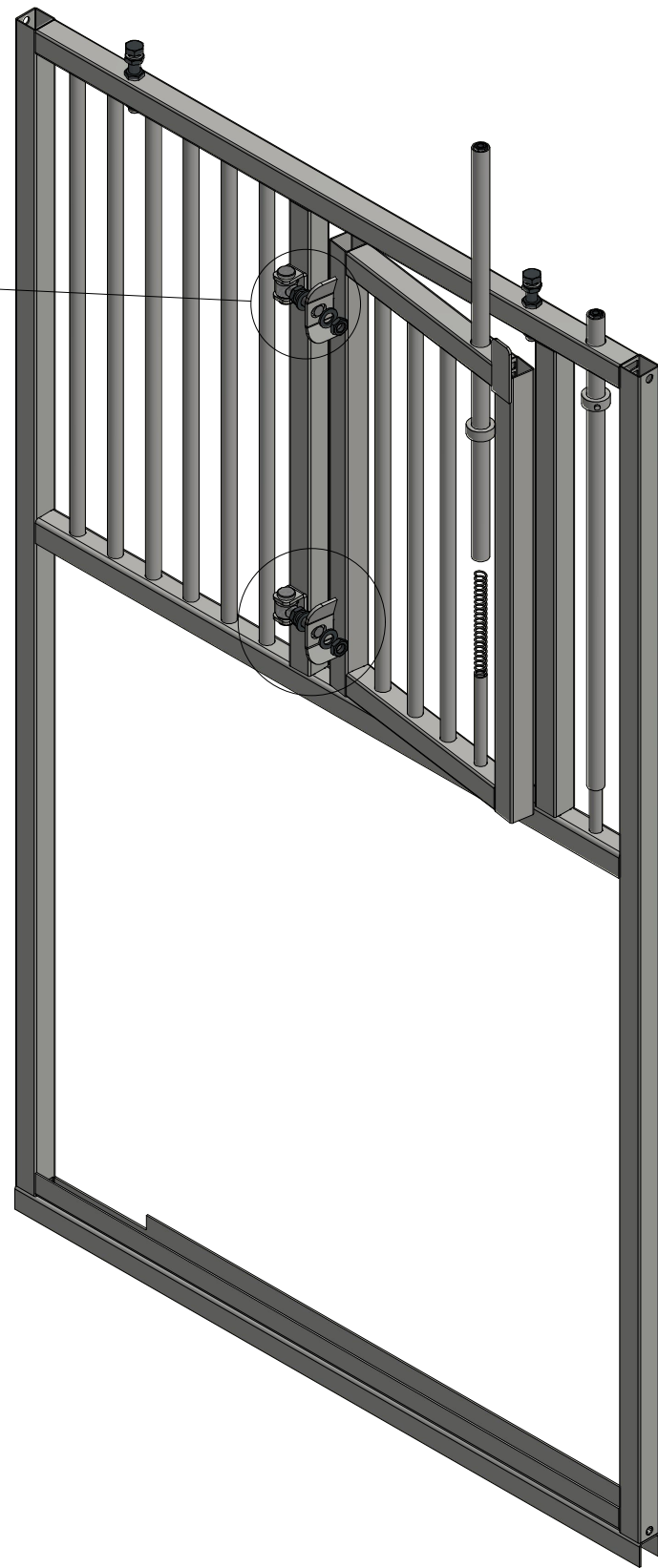
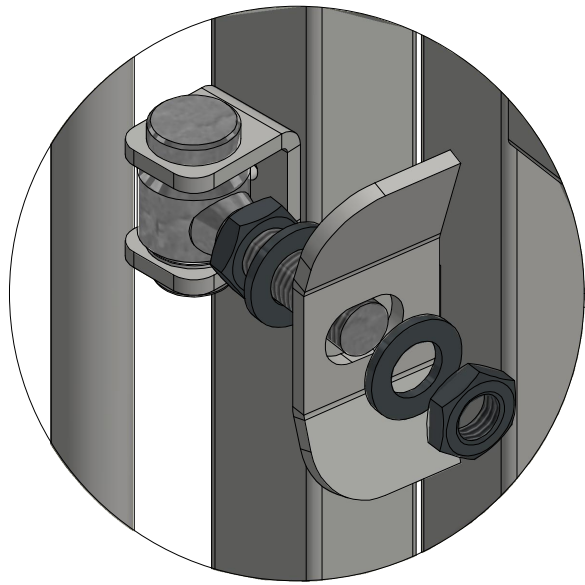
Bolts:

- Hex screw M16
- Hex nut M 16
- Spring washer M16

Bar locker:

- Bar 22 mm
- Ring with inbus bolt
- Coil spring



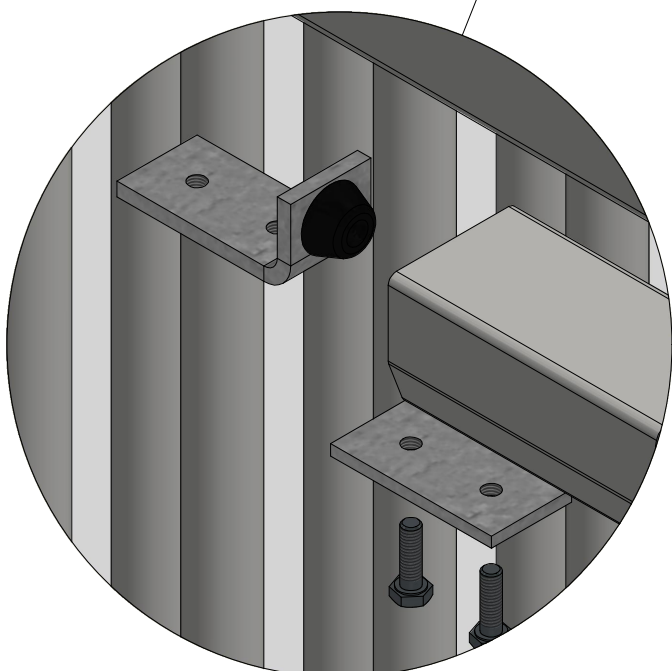
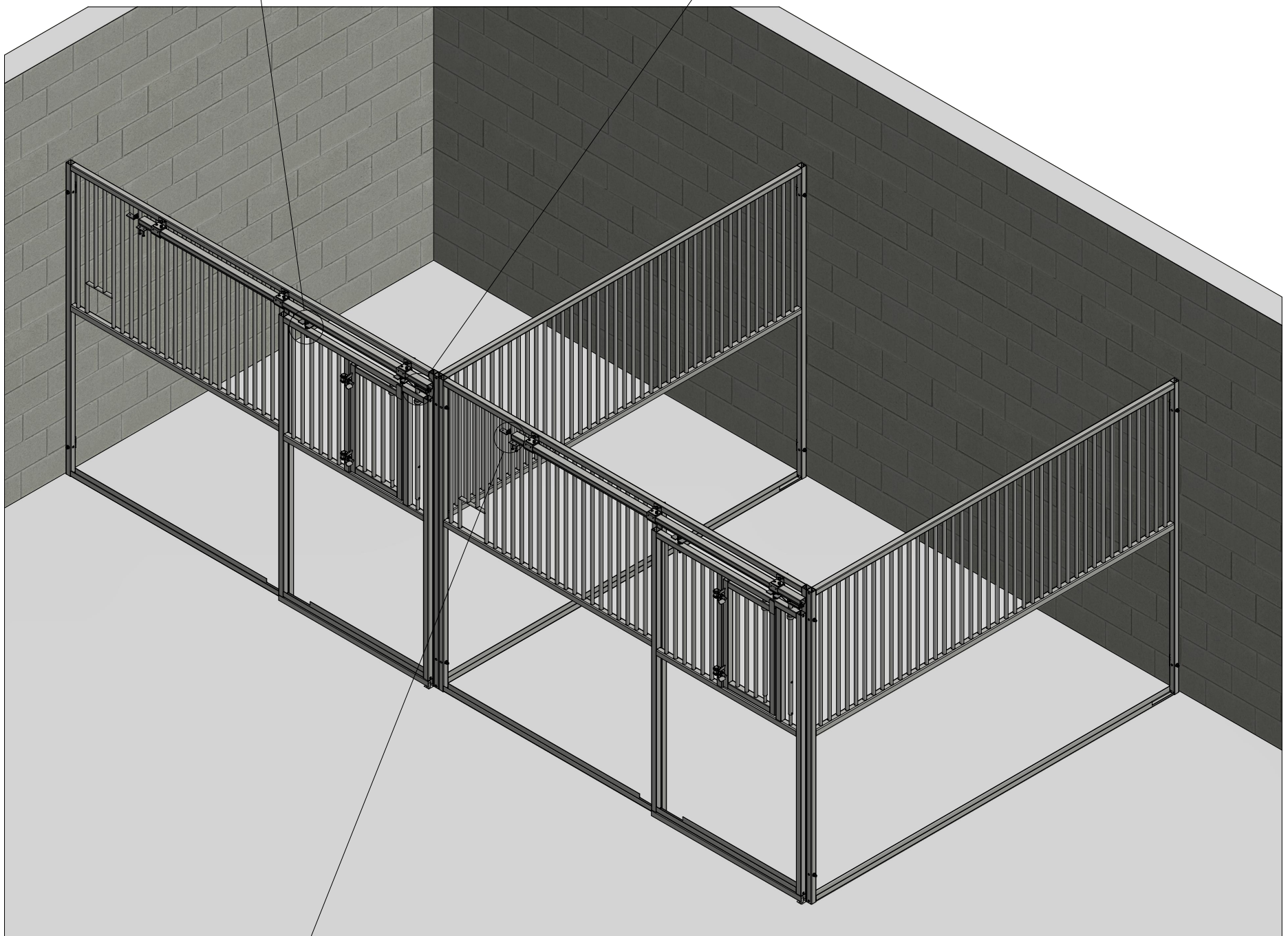
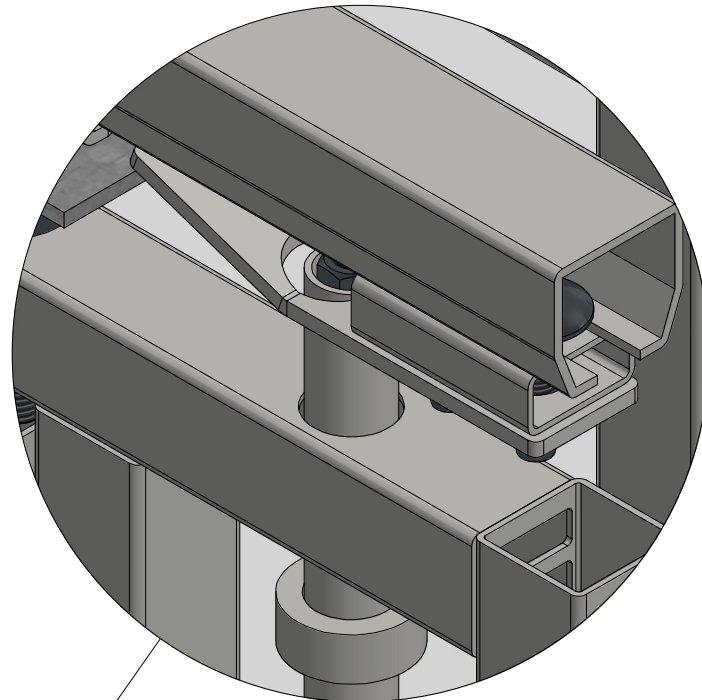
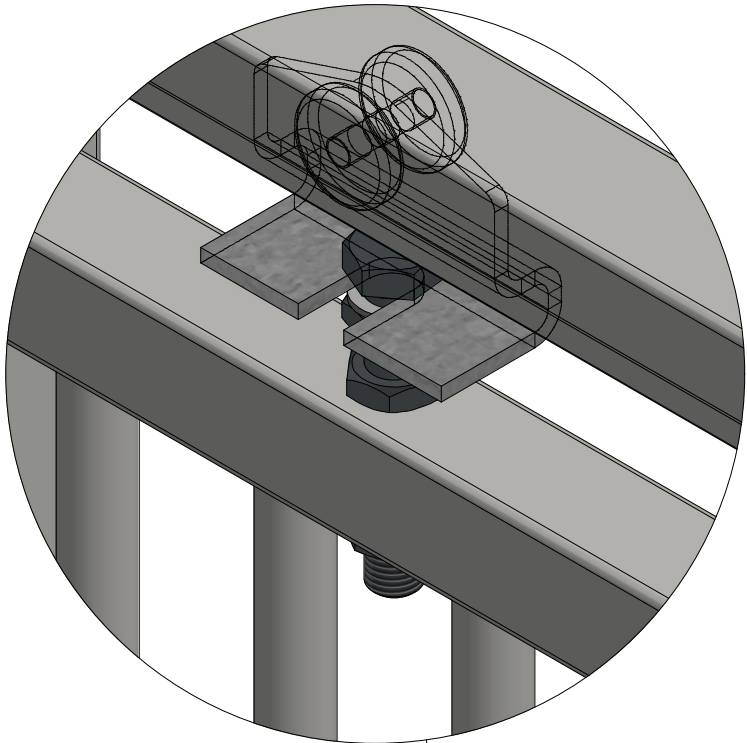


Option: minidoor in the sliding door.

Tip: look at the detail drawing

Tools: wrench 24 mm, inbus

- Hex screw M16
- Hex nut M 16
- Washer M16
- Hinge M16



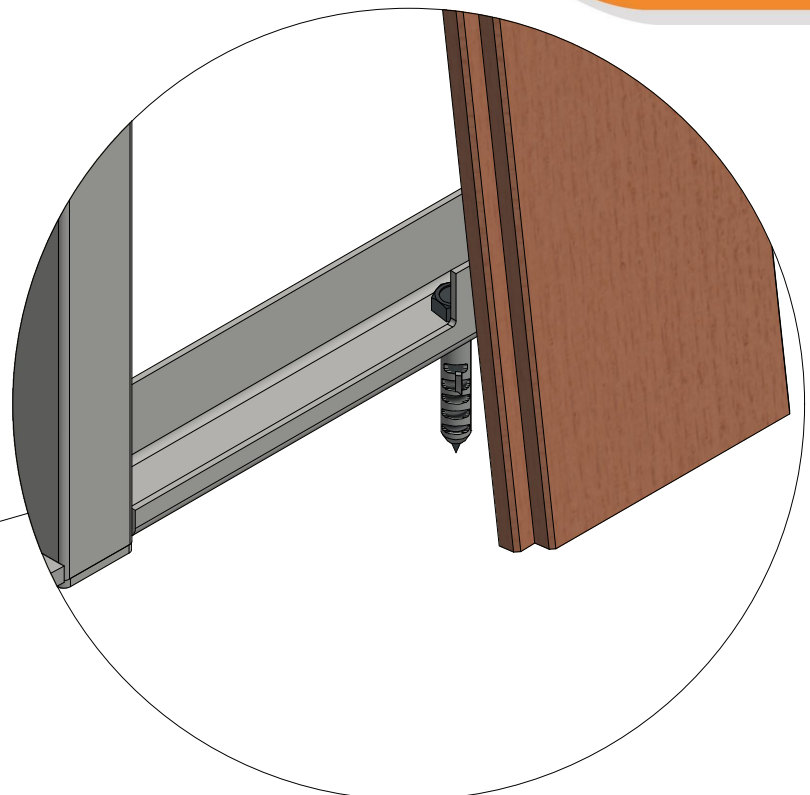
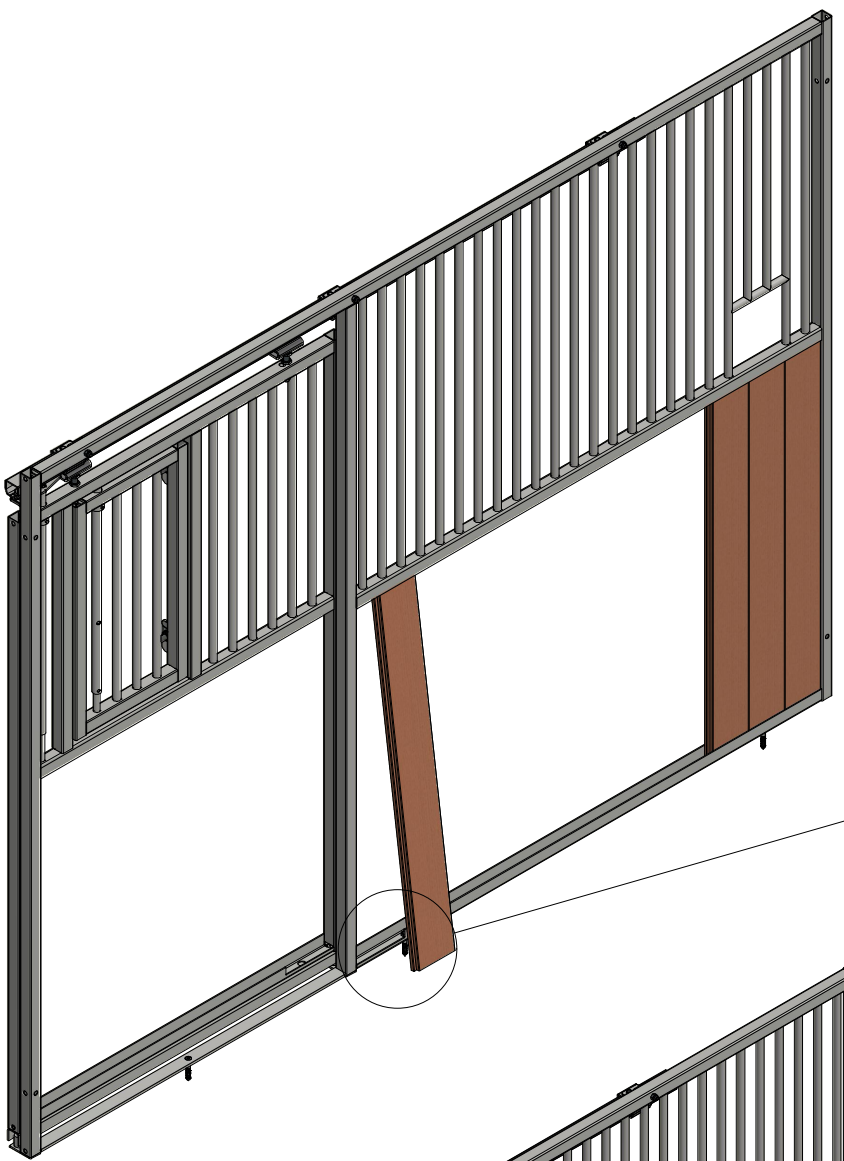
Install the sliding door.

Tip: First put in the rollers in the rail.

Tools: wrench 13, wrench 24 mm, inbus, level

- Bolts:
- Rollers
 - Rail stopper

Adjust the door height, locker, bar locker height, stopper until door opens and closes smoothly.



Installation of the planks (wood or plastic)

Tips:

- Carrefull with the cutting of the boards. Use a secure and sharp saw!
- Drill a hole in the plank were the bolts are.

Tools: tape measure, cross cut table, cordless drill with cross bit.

Working order:

1. Drill a hole in the first plank to cover the nuts.
2. Put in the planks until the last 2 planks
3. Cut the feather of the second last plank
4. Cut the last plank by measuring the opening.

Plastick planks have only the following dimension:

- 1185 mm
- 970 mm

Therefore you have to cut planks in length by e.g. doors, tailor made heights.

